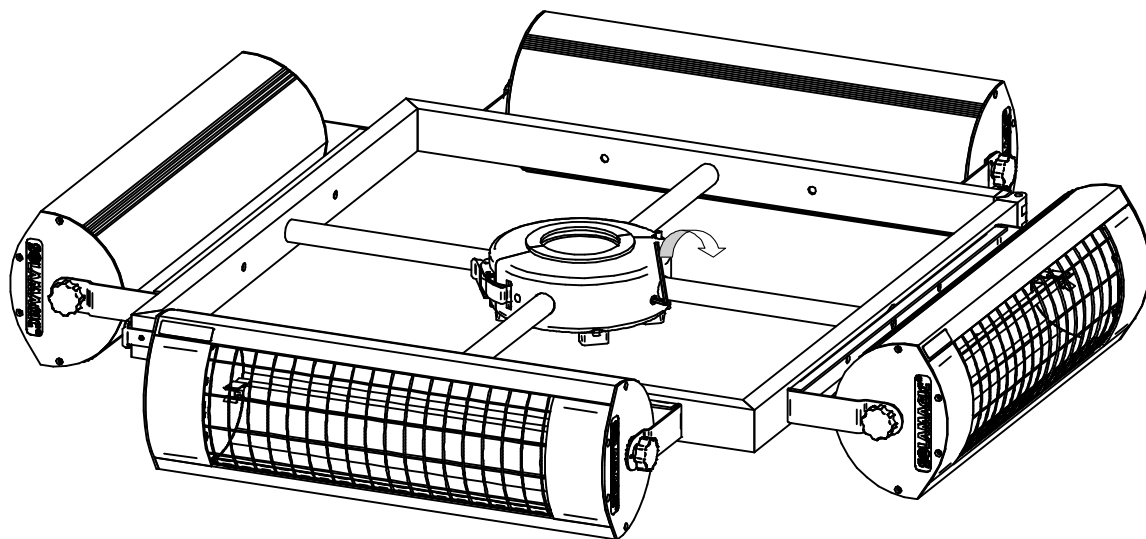
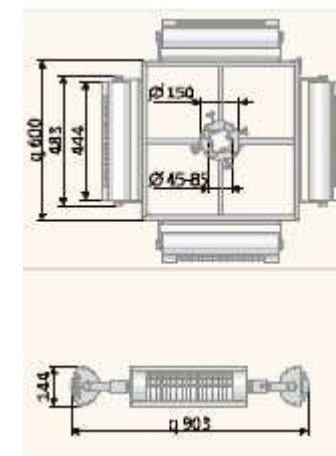


ASSEMBLY INSTRUCTION




Mast-mounted
with 4 heaters



1. mount the sleeve gasket and the mastholder bracket around the mast (plugs down side), close strain fastener.
2. plug in cable with 220-240V, 50Hz, protection class 1



Dimensions in mm

-  4 x 1400 W
-  depending on the assembly
-  230 V / 1-phase



HEAT
outdoors