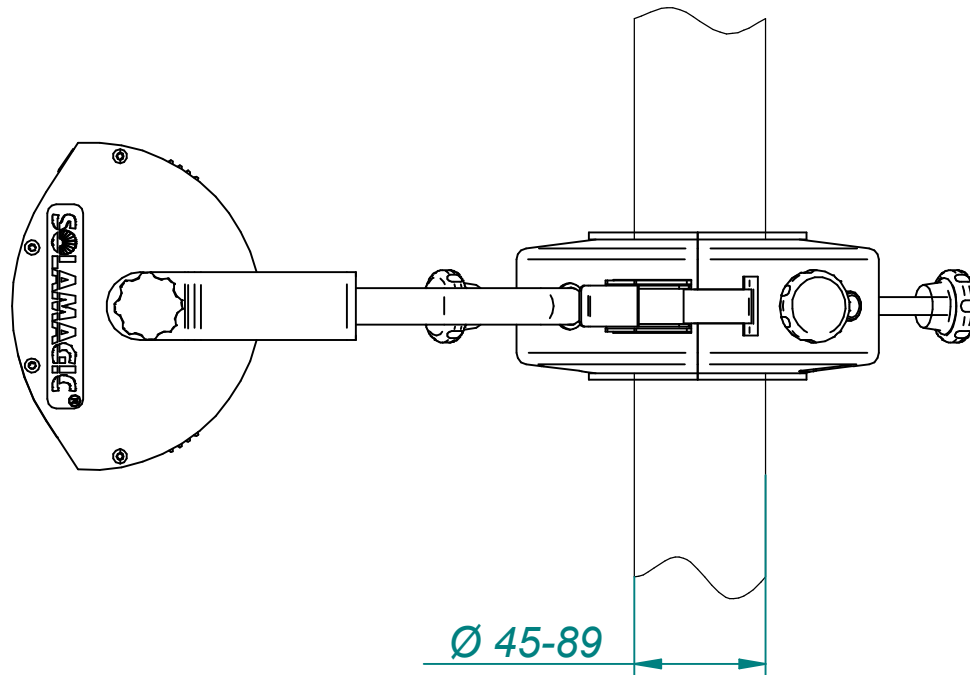


# Assembly instruction



1. mount the sleeve gasket and the mastholder bracket around the mast (plugs down side), close strain fastener and seize the 4 screws.
2. plug in cable with 220-240V, 50Hz, protection class 1