

Shadow Diffusion Wall Heater

Safety Instructions and Operation Manual
902119



Heat Outdoors
Unit 9, Stort Valley Industrial Estate
Stansted Road, Bishop's Stortford
Hertfordshire, United Kingdom
CM23 2TU

www.heat-outdoors.co.uk
01279 466500
info@heat-outdoors.co.uk

Contents

Brief Introduction	3
Important Information	3
Safety Instructions	4
Assembly Instructions	6
Operation	7
Cleaning & maintenance	8
Storage	9
Technical Specification	9
Customer Service	9

Brief Introduction

Thank you for choosing our Shadow Diffusion Wall Heater. This instruction manual will provide you with valuable information necessary for the proper care and maintenance of your new product. Please take a few moments to thoroughly read the instructions and familiarise yourself with all the operational aspects of your new heater.

Important Information

Please carefully read all instructions provided before using this appliance. This heater must be installed and used as instructed.

This Operation Manual contains the important safety information, as well as some recommendations on correct use, installation and maintenance of the appliance.

When operating this infrared heater observe necessary safety precautions, improper use may result in injury or damage to property.

Ensure to keep this manual along with your sales receipt, and if possible, cardboard package and packing material in case return of the unit is necessary.

- **Unpack the halogen heater making sure that all the items are present, there are no components left in the box and the heater head is free from any packing material.**
- **Using the detailed diagrams follow the steps to assemble your halogen heater.**
- **Do not connect the halogen heater to the electrical supply until the assembly is complete.**
- **Do not connect the halogen heater to the electrical supply if any of the components or the power cord is damaged in any way.**

Safety Instructions

Read these instructions before using.

WARNING

Potential fire risk if the heater is covered by any material or positioned close to curtains or other flammable materials.

- This appliance can be used by children aged 8 years+, and persons with reduced physical, sensory or mental capabilities if they have been instructed to use the appliance in a safe way.
- Children of less than 3 years should be kept away unless continuously supervised.
- Children aged between 3-8 years shall only switch on/off the appliance provided that it has been placed in its intended operating position.
- Children aged between 3-8 years shall not plug in, regulate, clean or perform maintenance on the appliance.
- CAUTION – Some parts of this product can become very hot and cause burns. Particular attention has to be given where children and vulnerable people are present.
- If the supply cord is damaged, it must be replaced by the manufacturer, its service agent or a similarly qualified person to avoid a hazard.
- To avoid overheating, please do not cover the heater.
- The heater must not be located immediately below a socket outlet.
- The heater must be installed at least 1.8 m above the floor.
- After fixing to a wall or ceiling, adjustments to the direction of radiation must only be made with the appropriate tools.
- Do not use the heater with a programmer, separate remote control system or any other device that switches the heater on/off automatically.
- A fire risk exists if the heater is covered or positioned incorrectly.
- It's dangerous to install the heater close to curtains and other combustible materials such as curtains, marquees, flags plastic foils etc..
- Do not use the heater in reach of a shower, bath or a swimming pool.
- Do not use in unventilated areas.
- Do not use where gas, petrol, paint or other flammable materials are stored.
- Do not push any items through, obstruct or cover the grills of the heater head.
- Do not move the heater when it is connected to electrical supply.
- Always wait till the heater has cooled down completely before storage.
- Do not touch the heater head during in use.

- Do not leave heater turned on and unattended especially when children and or animals are in the vicinity.
- The heater must be placed with a clearance of 100cm to the wall and 30cm to the ceiling.
- The heater is extremely hot during operation. It keeps hot for a period after shutdown. Potential danger will occur when touching it during this period.
- The heater must be handled with care, no violent vibration or hitting.
- In case of damage, it must be repaired by a professional electrician.
- This heater is not equipped with a device to control room temperature. Do not use this heater in small rooms when they are occupied by persons not capable of leaving the room on their own, unless constant supervision is provided.
- Do not use the heater as a cloth drier or tower drier.
- Do not use the heater as a sauna heater.
- Do not use the heater as a room heater.
- Do not use the heater in place of animal propagating and raising.
- Do not immerse the heater into water for cleaning.

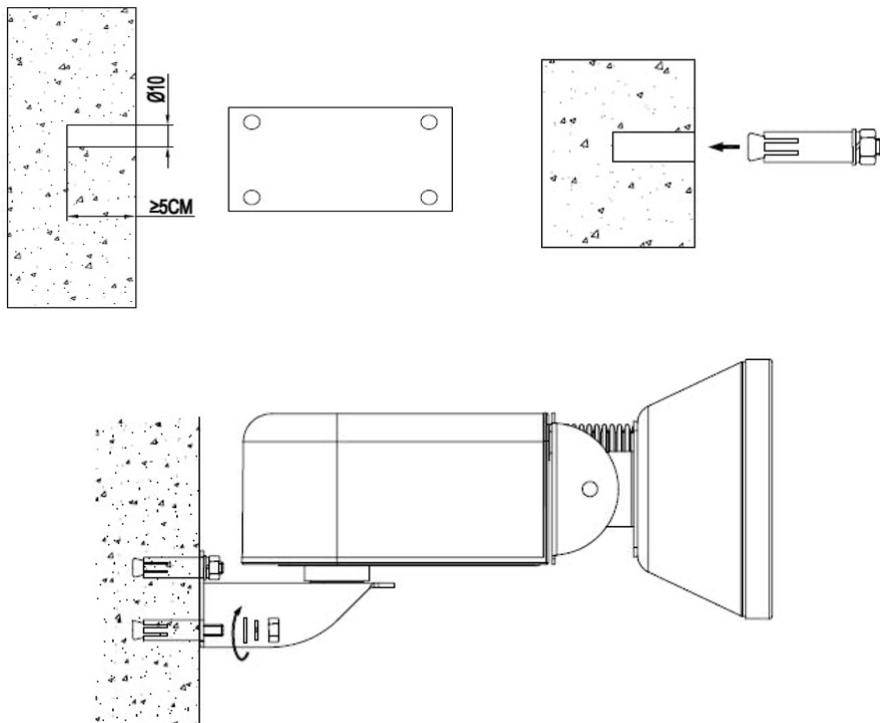
Assembly Instructions

When unpacking the heater, please make sure that all the items are present, there are no components left in the box and that all the parts are free from any packing material.

Do not connect the heater to the electrical supply until all the assembly is done.
Do not connect the heater to the electrical supply if any of the components or power cord are damaged any way. In case of any doubt, please contact your local supplier.

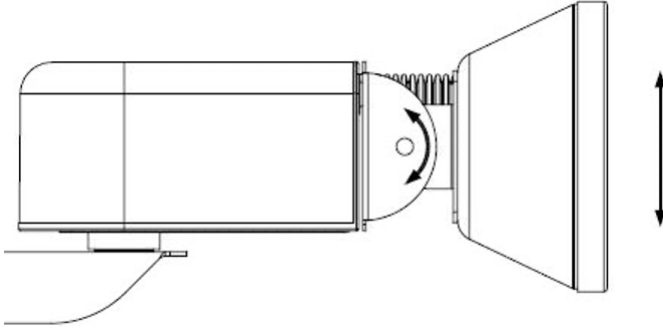
A: Wall Mounting

1. Mark and drill 4 holes 10mm in diameter on the wall.
2. Insert 4 expansion bolts into the holes, align the heater onto the bolts and lock with 4 nuts tightly.



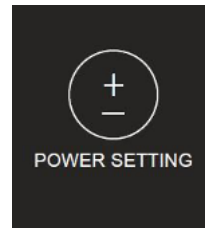
B: Angle Adjustment

- Loosen the nuts on both sides, adjust the heater to the desired angle. Tighten the nuts to seal in place.



Operation

- Insert the plug into the power socket
- The power setting on the heater allows you to turn the heater on/off or adjust the power manually.



Cleaning & maintenance

Heater housing, grills and internal reflector

- Disconnect the appliance from the power supply system.
- After the appliance has cooled down, the housing can be wiped clean with a damp cloth.
- Do not touch the bulb element with your fingers. Stains can build up from touching the bulb and may cause the bulb to malfunction.
- Do not use any abrasive or hard cleaning products on any part of this heater.
- Do not immerse the appliance in water.
- Wait until the unit is completely dry before use.

Cleaning of heater lamp

- Disconnect the appliance from the power supply system.
- Wipe the lamp over with a damp cloth. Ensure no detergents or cleaning fluids are used as they may cause damage to the lamp coating.

<https://www.heat-outdoors.co.uk/help-desk/useful-articles/heater-and-lamp-maintenance.html>

Any maintenance or repairs should only be carried out by a qualified electrician if you're unsure how to do so. For further information and guidance, visit our online help articles and videos.

Disposal



In accordance with European Directive 2001/96/EG concerning used electrical and electronic appliances (waste electrical and electronic equipment – WEEE), please return any electrical equipment that you will no longer use to the collection points provided for their disposal.

This symbol indicates that the appliance cannot be treated as normal domestic trash, but must be handed to a collection point for recycling electric and electronic appliances.

Information concerning where the equipment can be disposed of can be obtained from your local authority.

Storage

If the heater will not be used for a long period of time, store it in a cool, dry location. To prevent dust and dirt build-up, use the original packaging to repack the heater.

Technical Specification

Ratings: 220-240V AC 50-60Hz

Power consumption: 2000W

Dimensions: 630x140x330 mm (LxWxD)

Net weight: 3 kg

Ingress Rating: IP54

Customer Service

- Repairs must be carried out by authorised specialists, thus ensuring electrical safety.
- Please contact us or a suitably qualified electrician.
- Improper repairs could lead to danger to the user.

Warranty does not cover damage of failure which results from alteration, accident, misuse, abuse, neglect, commercial use or improper maintenance. In line with our policy of continuous product development we reserve the right to change the product and documentation specifications without notice.



Heat Outdoors

Unit 9, Stort Valley Industrial Estate
Stansted Road, Bishop's Stortford
Hertfordshire, United Kingdom
CM23 2TU

www.heat-outdoors.co.uk

01279 466500

info@heat-outdoors.co.uk