

Shadow Diffusion Shade Lamp Patio Heater

Safety Instructions and Operation Manual
902113



Heat Outdoors
Unit 9, Stort Valley Industrial Estate
Stansted Road, Bishop's Stortford
Hertfordshire, United Kingdom
CM23 2TU

www.heat-outdoors.co.uk
01279 466500
info@heat-outdoors.co.uk

Contents

| | |
|-----------------------------------|----|
| Brief Introduction | 3 |
| Important Information | 3 |
| Safety Instructions | 4 |
| Assembly Instructions | 7 |
| Operation | 9 |
| Cleaning & maintenance | 10 |
| Storage | 11 |
| Technical Specification | 11 |
| Customer Service | 11 |

Brief Introduction

Thank you for choosing our Shadow Diffusion Shade Patio Heater. This instruction manual will provide you with valuable information necessary for the proper assembly, care and maintenance of your new product. Please take a few moments to thoroughly read the instructions and familiarize yourself with all the operational aspects of your new heater.

Important Information

Please carefully read all instructions provided before using this appliance. This heater must be installed in accordance with the instructions and local regulations.

This Operation Manual contains the important information on your safety, as well as some recommendations on the correct use, installation and maintenance of the appliance.

When operating this infrared heater be sure to observe necessary precautions as improper operation with disregard of these precautions may result in harm to health of the user, other people or objects.

Ensure to keep this manual along with sales receipt, and if possible, cardboard package and packing material in case return of the unit is necessary.

- **Unpack the halogen heater making sure that all the items are present, there are no components left in the box and the heater head is free from any packing material.**
- **Using the detailed diagrams follow the steps to assemble your halogen heater.**
- **Do not connect the halogen heater to the electrical supply until the assembly is complete.**
- **Do not connect the halogen heater to the electrical supply if any of the components or the power cord is damaged in any way.**

Safety Instructions

Read these instructions before using.

WARNING

Potential fire risk if the heater is covered by any material or positioned close to curtains or other flammable materials.

Caution

Some parts of this product can become very hot and cause burns. Particular attention has to be given where children and vulnerable people are present.

This heater is not equipped with a device to control the room temperature. Do not use this heater in small rooms when they are occupied by persons not capable of leaving the room on their own, unless constant supervision is provided.

Children and vulnerable people should be kept away from the heater unless continuously supervised.

- Only use the halogen heater on a firm solid horizontal area where all the feet on the base are in contact with the floor. (Should the heater be tilted or fall over the auto cut off switch will activate)
- Site the heater outside or in a large open area and well away from any obstructions such as branches or where the heater is near any objects that can be affected by heat, such as furniture, curtains or other inflammable objects (minimum distance 1 metre).
- **DO NOT** use near bath tubs, wash areas or swimming pools.
- **DO NOT** use in unventilated areas
- **DO NOT** use where gas, petrol, paint or other inflammable goods are stored.
- **DO NOT** push any items through, obstruct or cover the grill of the heater head.
- **DO NOT** position immediately above or below an electrical socket.
- **DO NOT** move when connected to an electrical supply and always wait for the patio heater to cool down before storing away.
- **DO NOT** touch the heater head when in use.
- **DO NOT** leave turned on and unattended especially when children, vulnerable people and or animals are in the vicinity.
- The indication of the different positions of switches should be visible from a distance of 1M at all times.
- The marking concerning covering should be left visible after the heater has been installed. It should not be placed on the back of portable heaters.

- The unit must be placed with a minimum clearance of 100cm to the wall and 30cm to the ceiling.
- The unit must be correctly installed according to the instructions. Make sure the head is at least 1.8m from the floor.
- The unit must be securely placed on a horizontal and flat surface.
- The unit operates at high temperature during operation. The unit will stay hot for a period of time after shut down. There is potential danger if touching the heater during this period.
- Don't place the unit close to a curtain and/or other flammable objects. Otherwise, there will be a danger of fire.
- Don't cover the unit with anything during operation or a short time after it's shut down.
- Don't wrap the power supply cord on the unit.
- The unit must be handled with care, and avoid vibration or sudden impacts.
- The unit must be securely grounded during operation.
- If the unit gets damaged, it must be repaired by professional electricians.
- When the power supply cord is damaged, it must be replaced by authorised agent or other professional people to avoid danger.
- The unit must not be positioned under a socket.
- When assembling, keep clear from any packaging or flammable material.
- The unit must be supervised by adults if it's used by a child.
- It is not safe to install the unit by a swimming pool, in a bathroom or shower area.
- The unit is for household use only. It is not safe to use on a building site, greenhouse, barn or stable where there's flammable dust.
- The head of the unit is at high temperature during operation. Unplug the unit and wait till it cools before cleaning.
- Don't use this unit in a place where causticity or volatile air exists, i.e. dust, steam, gas, etc.
- Don't use this unit as a cloth, towel or other textile material drier.
- Don't use this unit as a sauna heater.
- Don't use this unit as a room heater.
- Don't use this unit in a place of animal propagating and raising.
- Don't immerse this unit into water for cleaning.
- The unit should be plugged in a socket, which is easily visible and reachable.
- Two dark points may exist on the surface of the heating elements during the first few minutes after it is turned on. This is normal, and will not affect the performance of the unit.
- A tilt switch is fitted inside the unit for safety purposes.
- The unit should be plugged in a socket, which is easily visible and reachable.

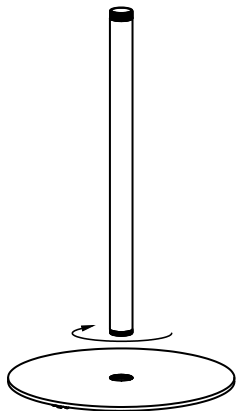
- The wheels are only for the purpose of moving the heater, once the heater is in the right position, the wheels should be removed for safety purposes.
- Do not use this heater with a programmer, timer or any other device that switches the heater on automatically, since a fire risk exists if the heater is covered or positioned incorrectly.
- This appliance is not intended for use by persons (including children) with reduced physical ability, sensory or mental capabilities, or lack of experience and knowledge, unless they have been given supervision or instruction concerning use of the appliance by a person responsible for their safety.
- Children should be supervised at all times, keep a safe distance from the unit and must not touch with the appliance.

Assembly Instructions

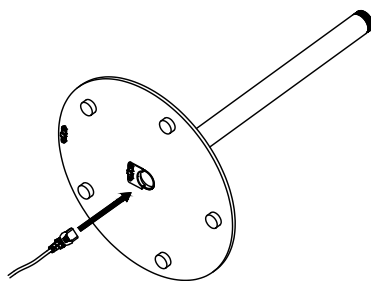
Warning:

Please ensure all the hyaline protective film around the large decorative shade is completely removed.

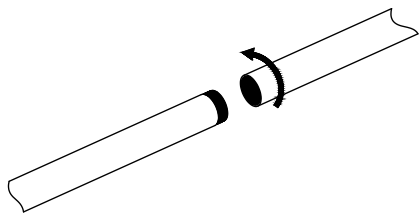
1. Fix the bottom tube onto the base by screwing.



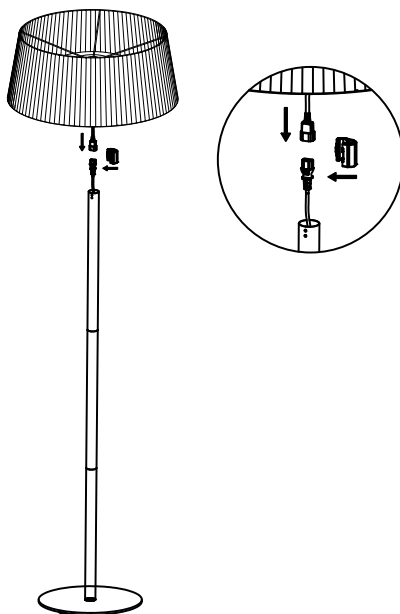
4. Place the power cord plug through the base, bottom tube, middle tube and top tube. Connect the power cord plug to the socket in the heater head.



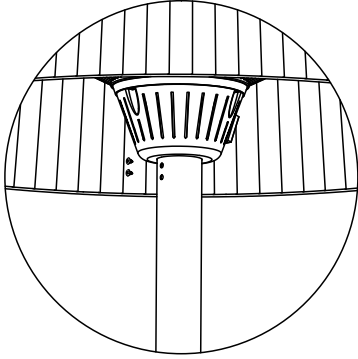
2. Connect the middle tube with bottom tube by screwing them together.



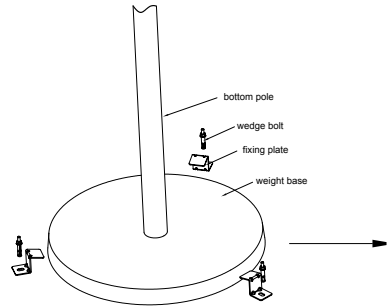
3. Connect the top tube with middle tube by screwing them together (same as Step 2).



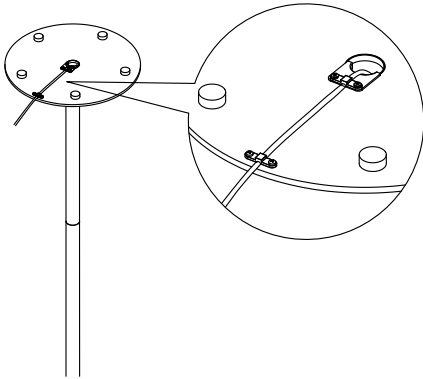
5. Insert the Heater Head onto the top tube and fix in position using the 4*8mm screws



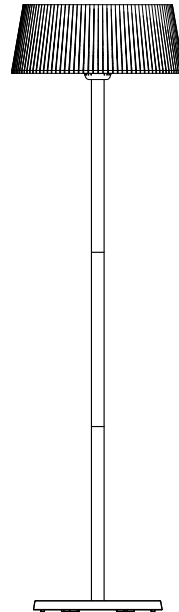
7. Fix the heater on the floor. Bore three holes in the floor, fix the heater by three wedge bolts on the floor tightening the screws by spanner.



6. Fix the Power Cord on the Base by using the 4*12 Screws.



Complete!



Operation

Connect the power cable to a 13 amp supply that is located in a safe, dry area.

- The touch switch on the heater head is used to control the three heat settings. (I) for 900w, (II) for 1200W, (I&II) for 2100W heat outputs. The (0) position is OFF.
- Although the patio heater is shower proof, do not use when raining or in wet conditions.
- Always disconnect the power cable from the electrical supply when the patio heater is not in use.

Cleaning & maintenance

Heater housing, grills and internal reflector

- Disconnect the appliance from the power supply system.
- After the appliance has cooled down, the housing can be wiped clean with a damp cloth.
- Do not touch the bulb element with your fingers, since stains could build up from such a contact and may cause malfunction of the blub.
- Do not use any abrasive or hard cleaning products on any part of this heater.
- Do not immerse the appliance in water.
- Wait until the unit is completely dry before use.

Cleaning of heater lamp

- Disconnect the appliance from the power supply system.
- Wipe the lamp over with a damp cloth ensure no detergents or cleaning fluids are used as they may cause damage to the lamp coating.

<https://www.heat-outdoors.co.uk/help-desk/useful-articles/heater-and-lamp-maintenance.html>

Any maintenance or repairs should only be carried out by a qualified electrician if you're unsure how to do so. For further information and guidance, visit our online help articles and videos.

Disposal



In accordance with European Directive 2001/96/EG concerning used electrical and electronic appliances (waste electrical and electronic equipment – WEEE), please return any electrical equipment that you will no longer use to the collection points provided for their disposal.

This symbol indicates that the appliance cannot be treated as normal domestic trash, but must be handed to a collection point for recycling electric and electronic appliances.

Information concerning where the equipment can be disposed of can be obtained from your local authority.

Storage

If the heater will not be used for a long period of time, store it in a cool, dry location. To prevent dust and dirt build-up, use the original packaging to repack the heater.

Technical Specification

Ratings: 220-240V AC 50-60Hz

Wattage max: 2100W

Net weight: 14.6 kg

Insulation: Class 1

Height: 210cm

Ingress rating: IP54

Customer Service

- Repairs must be carried out by authorised specialists, thus ensuring electrical safety.
- Please contact us or a suitably qualified electrician.
- Improper repairs could lead to danger to the user.

Warranty does not cover damage or failure which results from alteration, accident, misuse, abuse, neglect, commercial use or improper maintenance. In line with our policy of continuous product development we reserve the right to change the product and documentation specifications without notice.



Heat Outdoors

Unit 9, Stort Valley Industrial Estate
Stansted Road, Bishop's Stortford
Hertfordshire, United Kingdom
CM23 2TU

www.heat-outdoors.co.uk

01279 466500

info@heat-outdoors.co.uk