

Fig.A

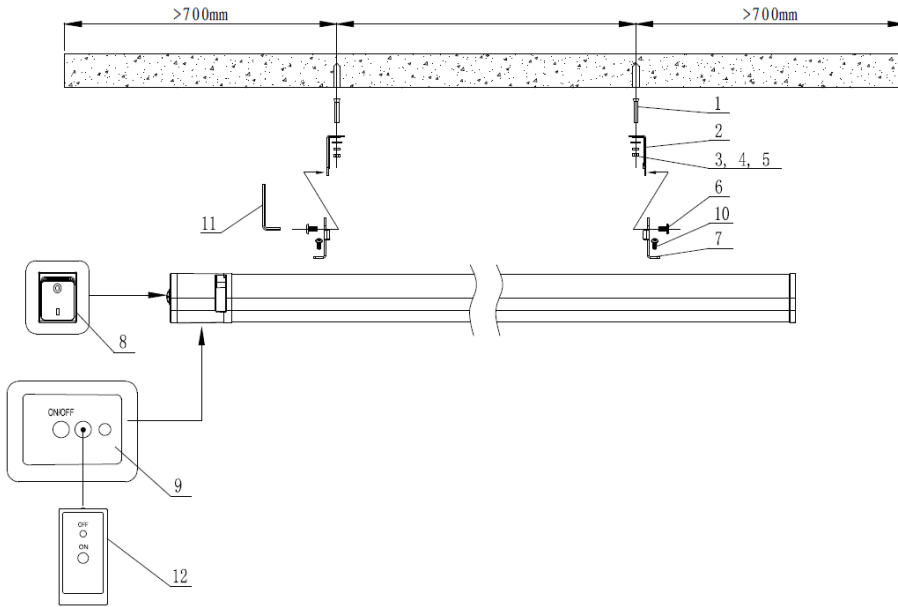
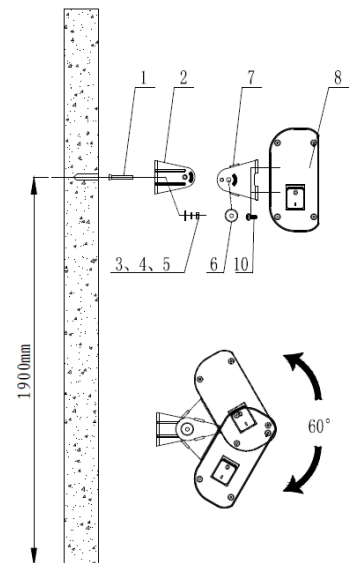


Fig.B



Parts Descriptions:			
No.	Part Name	No.	Part Name
1	Expansion Bolt M6*70	7	Lower L Bracket
2	Upper L Bracket	8	Switch
3	Washer	9	Control Panel
4	Spring Washer	10	Screw M6*8
5	Screw Nut M6	11	Allen Key
6	Screw M6*16	12	Remote controller

Accessories Pack Check List:	
Accessory Name	Qty
Upper L Bracket	2
Lower L Bracket	2
Expansion Bolt M6*70	2
Screw M6*16	2
Remote Control	1
Allen Key	1
Screw M6*8	4

AH18CP	L=858mm
AH24CP	L=1138mm
AH32CP	L=1513mm

AH18CPR/AH24CPR/AH32CPR

Instruction Manual

Cautions:

- Children of less than 3 years should be kept away unless continuously supervised.
This appliance can be used by children aged from 8 years and above and persons with reduced physical, sensory or mental capabilities or lack of experience and knowledge if they have been given supervision or instruction concerning use of the appliance in a safe way and understand the hazards involved. Children shall not play with the appliance. Cleaning and user maintenance shall not be made by children without supervision.
CAUTION -- Some parts of this product can become very hot and cause burns. Particular attention has to be given where children and vulnerable people are present.
- Children aged from 3 years and less than 8 years shall only switch on/off the appliance provided that it has been placed or installed in its intended normal operating position and they have been given supervision or instruction concerning use of the appliance in a safe way and understand the hazards involved. Children aged from 3 years and less than 8 years shall not plug in, regulate and clean the appliance or perform user maintenance.
- The heater must not be located immediately below a socket-outlet.
- Do not use this heater with a programmer, timer or any other device that switches the heater on automatically, since a fire risk exists if the heater is covered or positioned incorrectly.
- Do not use this heater in the immediate surroundings of a bath, a shower or a swimming pool.
- Do not place the unit close to curtain and/or other flammable objects. Otherwise there will be a danger of catching fire.
- Do not cover the unit with anything during operation or a short time after it's shut down.
- Do not wrap the power supply cord on the unit.
- Do not use this unit in place where causticity or volatile air exists, i.e. dust, steam, gas, etc.
- Do not use this unit as a cloth drier or towel drier.
- Do not use this unit as a sauna heater.
- Do not use this unit as a room heater or heat storing.
- Do not use this unit in place of animal propagating and raising.
- Do not use this unit in heating system of hot air centre.
- Do not immerse this unit into water for cleaning.
- The unit is at high temperature during operation. It keeps hot for a period after shut down. Potential danger would occur when touching it during this

period.

17. The unit must be handled with care, and avoid of vibration or hitting.
18. The unit must be securely grounded during operation.
19. When damaged, the unit must be repaired by professional repairing team.
20. If the supply cord is damaged, it must be replaced by the manufacturer, its service agent or similarly qualified persons in order to avoid a hazard.
21. When assembling, keep clear from any board or flammable material.
22. This appliance is not intended for use by persons (including children) with reduced physical, sensory or mental capabilities, or lack of experience and knowledge, unless they have been given supervision or instruction concerning use of the appliance by a person responsible for their safety.
23. The unit is for household use only. It's not allowed to use in building site, greenhouses, barn or stable where there's flammable dust.
24. The head of the unit is at high temperature during operation. Unplug the unit and wait till it's cool before cleaning.
25. The unit should be plugged in a socket, which is easily visible and reachable.

WARNING:

This heater is not equipped with a device to control the room temperature. Do not use this heater in small rooms when they are occupied by persons not capable of leaving the room on their own, unless constant supervision is provided.

Preparation


1. Unpack the carton. Take out the accessories pack from the carton. Make sure the accessories listed in the above Accessories Check List are included. If anything missing, ask the retailer immediately to provide it to you.
2. Prepare a cross head screw driver and a spanner suitable for M6 screw nut.
3. Read this instruction manual carefully before installation and use. Keep this instruction manual in a proper and safe place for future use in case needed.

Installation:

1. The heater must be installed on at least from the ground above 1.8M, from the side wall above 50cm side-wall/ceiling.
2. Drill 2 holes on the ceiling or wall according to the size as table showed above. Insert the 2 Expansion Bolts into the holes. Use a spanner to twist the Screw Nuts on the Expansion Bolts clockwise till they are securely located in the holes. Unscrew the Screw Nuts and put them aside with Washers, Spring Washers for further use later.
3. Put Upper L Bracket onto the ceiling or wall. Let the 2 Expansion Bolts go through the holes on Upper L Brackets and fix them with the Washers, Spring Washers and Screw Nut above mentioned.
4. Put Lower L Bracket onto the rear side of the heater. Fix them with screws M6*8 using the provided allen key.
5. Mount Upper L Bracket on Lower L Bracket. Screw it tightly with Screw M6*16. For wall-mounted installation, to make sure the control box on the left side.
6. Loose the Screw M6*16, set the heater to a desired angle and drive the Screws M6*16 tight. The adjustable angle is within 60 degree totally.

Operations:

1. Plug in the unit to a socket. Make sure the power supply is same as rated.
2. Press Switch on left side of the heater. LED indicator light stars flashing showing the heater is on standby. Press ON/OFF button on control panel (or ON button on remote control) to switch on the heater. To shift the heater to standby mode, press **ON/OFF** button on control panel (or OFF button on remote control). LED indicator light start flashing again.
3. To switch off the heater, press Switch on left side of the heater accordingly.

Disposal of appliances and batteries	
	<p>After the implementation of the European Directive 2002/96/EU in the national legal system, the following applies:</p> <p>Electrical and electronic devices may not be disposed of with domestic waste. Consumers are obliged by law to return electrical and electronic devices at the end of their service lives to the public collecting points set up for this purpose or point of sale. Details to this are defined by the national law of the respective country. This symbol on the product, the instruction manual or the package indicates that a product is subject to these regulations. By recycling, reusing the materials or other forms of utilising old devices, you are making an important contribution to protecting our environment.</p>

Cleaning:

Unplug the unit before cleaning. It should be wiped with wet cloth. Do not use too much water.