

# Athena Plus+ Pyramid Flame Gas Patio Heater

Safety Instructions and Operation Manual  
901287P



**Heat Outdoors**  
Unit 9, Stort Valley Industrial Estate  
Stansted Road, Bishop's Stortford  
Hertfordshire, United Kingdom  
CM23 2TU

[www.heat-outdoors.co.uk](http://www.heat-outdoors.co.uk)  
**01279 466500**  
[info@heat-outdoors.co.uk](mailto:info@heat-outdoors.co.uk)

# Contents

Warning . . . . .	3
Leakage Test . . . . .	4
Appliance and Location . . . . .	4
Safety Precautions . . . . .	5
Installation . . . . .	6
Technical Specifications . . . . .	6
Parts List . . . . .	7
Assembly Instructions . . . . .	8
Operation . . . . .	12
Customer Service . . . . .	15

# Warning

Please carefully read all instructions provided before using this appliance. This heater must be installed in accordance with the instructions and local regulations. The use of this appliance in enclosed areas can be dangerous and is prohibited.

- Perform the 'leak test' after each changing gas cylinder.

## **Never check for leaks with a naked flame**

- Do not store other flammable vapours or liquids near this appliance.

## **If you smell gas, follow the steps below:**

1. Extinguish all naked flames; do not operate any electrical appliances
2. Close the valve of the regulator to stop gas running to the unit and turn the heater to the OFF position (full disk = ●)
3. Ensure the regulator is fixed to the bottle correctly.
4. Check the hose from the gas bottle to the unit has no splits - this can be done with soapy water to identify splits in the hose.
5. If odour persist contact Heat Outdoors or a gas supplier.

# Leakage Test

Gas connections on the appliance are leak tested prior to shipment. Possible mishandling of the appliance during shipment can damage the integrity of some parts.

A complete gas leakage test must be performed again at the installation site. Please follow the procedure below for leakage test.

1. It is advised to make a soap / liquid detergent and water solution to identify any holes/splits or loose fittings in the tube.
2. Make sure the control tap is in the OFF position (full disk = ●) on the control panel.
3. Apply the solution to the hose using a brush or rag.
4. Turn ON the gas supply and check for bubbles from the hose. If the air bubbles appear this indicates a leak in the hose.
5. If a leak is present, turn OFF the gas supply immediately, tighten any leaking fitting carefully, turn gas again and recheck.

## Appliance and Location

**The appliance is for outdoor use only.**

Do not use indoors or in an enclosed area.

Always maintain suitable clearance from combustible materials - minimum 800mm from the top of the unit, and a minimum of 650mm from sides.

# Safety Precautions

- Performance and safety service of this heater should be performed annually by a qualified gas engineer.
- Do not use the heater in a combustible atmosphere.
- Before using the unit check the hose for splits, twists which may cause gas to leak or prevent flow.
- Disconnect gas cylinder before moving the heater.
- Do not attempt to modify any parts of the heater.
- The appliance is not recommended to be used in basements, below ground level or in areas with limited / no ventilation.
- Ensure the heater is placed on a solid and level surface.
- It is recommended that you should change your regulator annually to avoid blockages.
- Do not clean the heater with cleaners that are combustible or corrosive.
- Do not paint any part of the heater.
- The gas cylinder valve should be turned off when the heater is not in use.
- Avoid using the heater when it is raining to prevent water ingress.
- Keep children and vulnerable people away from the heater when in use.
- Do not move the heater when it is in use.
- Check the heater immediately if any of the following exists:
  - There is smell of gas.
  - The heater performance of the heater seems to be reduced.
  - The burner makes popping noise during use (a slight popping noise is normal when the flame is extinguished after use).
- When the heater is in use the surface of the grills, reflector and glass will reach a high temperature. Do not touch these parts.
- Do not obstruct the ventilation holes of the cylinder housing.
- It is recommended that the gas tube is replaced annually to avoid any splits or holes forming.
- Only use the gas specified - 13kg-15kg Propane patio gas.
- In adverse weather conditions it is advised the heater is stored undercover or inside where possible.


# Installation

Important safety requirements:

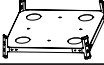








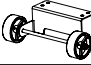



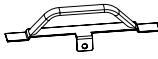




## **THIS APPLIANCE IS FOR OUTDOOR USE ONLY**

1. It is not recommended for this heater to be installed or used indoors, garages or any other enclosed area.
2. **DO NOT** place articles on or against this appliance.
3. **DO NOT** use or store flammable materials near this appliance.
4. **DO NOT** operate this appliance unless it is fully assembled with reflector and protection guard in place.
5. Installation and repair should be done by a qualified service person. The appliance must be inspected before use and at least annually serviced by a qualified gas engineer. More frequent cleaning may be required.

## Technical Specifications

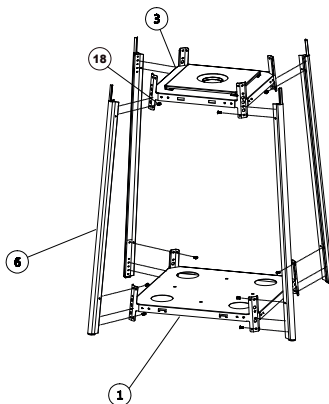
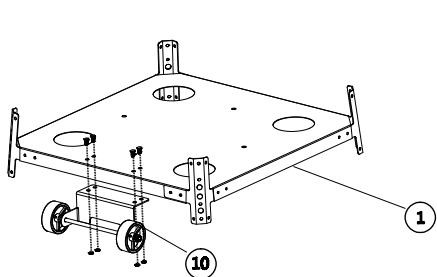
Item Number	KLD7001S KLD7001SS 901287P	Flame Heater	 0359CR1461	
Nominal HEAT INPUT	10.5 kW (762 g/h)			
Appliance Category	I3+(28-30/37)	I3B/P(30)	I3B/P(37)	I3B/P(50)
Gas Reference	G30/G31	G30/G31	G30/G31	G30/G31
Normal Gas Pressure	28-30/37 mbar	30 mbar	37 mbar	50 mbar
<b>FOR USE OUTDOORS ONLY</b>				
Close the valve of the gas cylinder or the regulator after use. The use of this appliance in closed areas can be dangerous and is PROHIBITED. Read the instructions before using this appliance. The appliance must be installed in accordance with the instructions and local regulations.				
Country of destination:				
I3+(28-30/37) for BE-CH-CY-CZ-ES-FR-GB-GR-IE-IT-LT-L-U-LV-PT-SK-SI				
I3B/P(30) for BE-CY-DK-EE-FI-FR-HU-IT-LT-NL-NO-SE-SI-SK-SK-RO-HR-TR-BG-				
I3B/P(37) for PL				
I3B/P(50) for AT-CH-DE-SK				

# Parts List

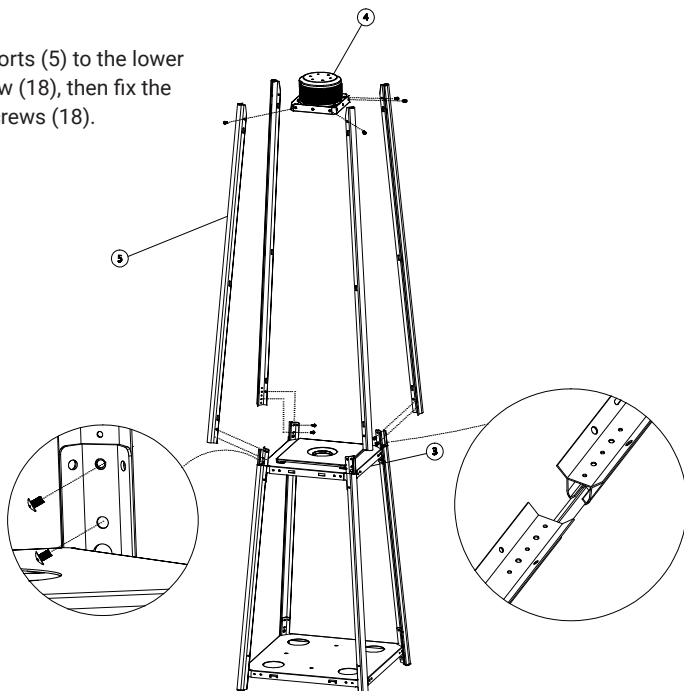
Part Number	Part Name	Picture	Quantity	Remarks
1	Bottom Plate		1	
2	Control Box		1	
3	Middle Plate		1	
4	Damper		1	
5	Upper Support		4	
6	Lower Support		4	
7	Glass Tube		1	
8	Reflector		1	
9	Lower Protection Guard		4	
10	Wheels		1	
11	Fixing Bracket		4	
12	Side Panel		3	
13	Front Panel		1	
14	Handle		1	
15	Chain		1	
16	AA Battery		1	
17	Rubber Ring		1	
18	Screw 3/16"		66	

# Assembly Instructions

1. Attach wheels (10) to bottom plate (1).
2. Connect and fix 4 x lower support (6) to the bottom plate (1) and middle plate (3) with screws (19).

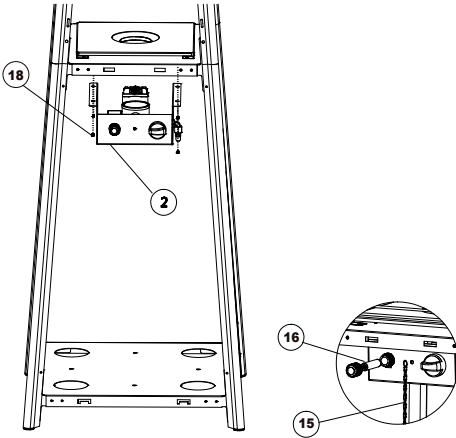


3. Connect 4 upper supports (5) to the lower supports (6) with screw (18), then fix the upper plate (4) with screws (18).

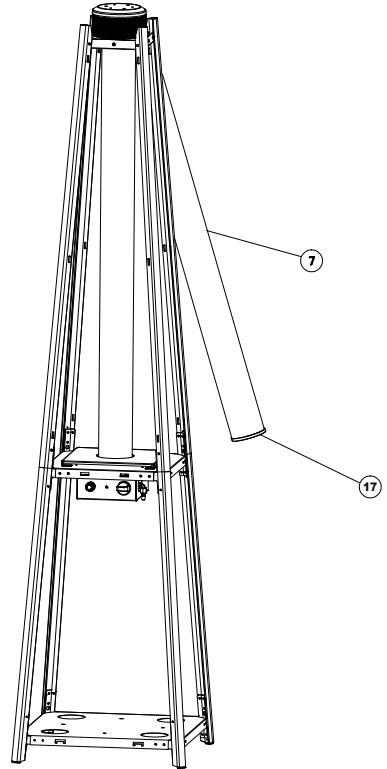




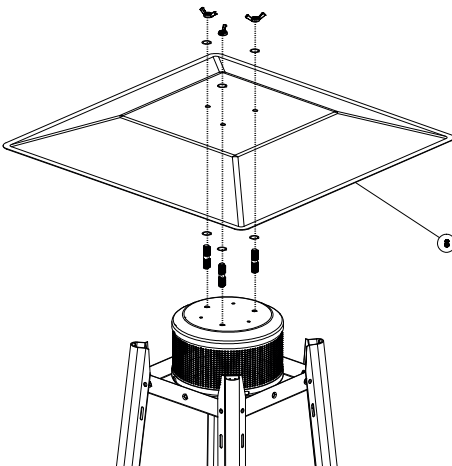
4. Unscrew the red ignitor button on the control box and insert the AA battery (16) with the POSITIVE end facing outwards. Then attach the control box (2) underneath the middle plate (3) with screws (18).



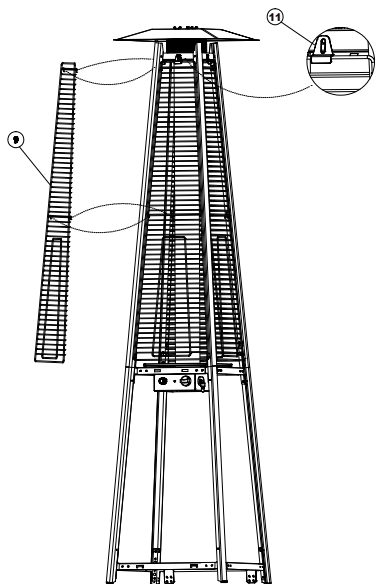
5. Carefully put the glass tube (7) up through the center of the hole in the upper plate (4). Make sure the rubber ring (17) is attached on the lower end of the glass tube. Now place the glass tube through the hole on the middle plate (3). Check to ensure the glass tube covers the center hole of the middle plate.



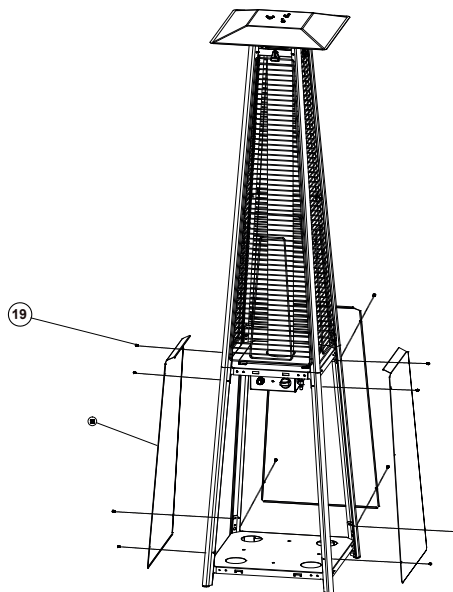
6. Attach the reflector (8) onto the upper plate (4) and fix with screws (18).



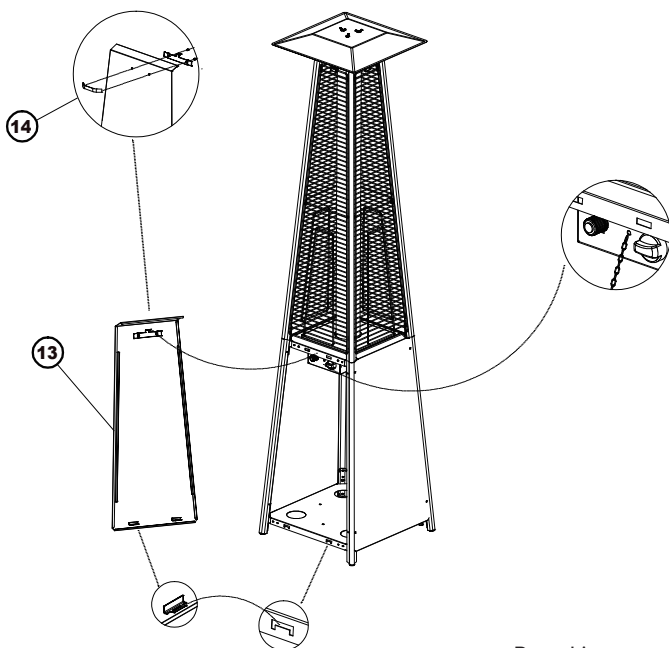
- Attach the protection guards (9) to the upper frame by inserting the hooks at the top of the guards into the holes on the supports. Repeat at the bottom of the supports. Secure the protection guards to the top of the supports with the fixing brackets (11) and screw in place.



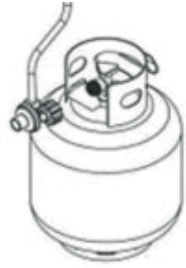
- Fix the sides panels (12) with the screws (18). Note: Do not cover the side where the control knob is.



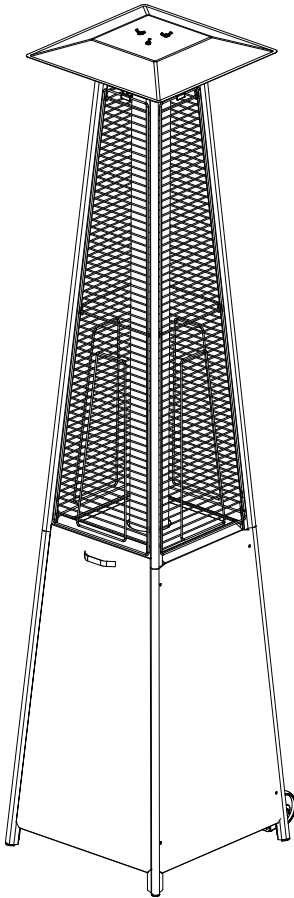
- Screw the handle (14) on the front panel (13) - attach the panel by inserting its two hooks into the holes on the bottom plate. Hook the chain (15) to the hole in the control box, then close the panel to the middle plate - the panel is attached by the magnets. Tips: the chain can hole the panel while operating the control.



10. Connect gas hose to 20. lb. LPG cylinder (not included). Attach regulator to cylinder. Tighten securely. Move cylinder to the plate of base assembly. Attach the cylinder to the base with 3pcs M8x12 bolts and tighten it in order to prevent the cylinder from moving on the base. Note: The regulator with gas hose is supplied.



## Complete



# Operation

## Preparation

You will need to purchase a suitable size LPG cylinder that can be installed to the compartment. You must use a pressure regulator and flexible tube which complies with the outlet pressure of the appliance. Connect the hose to the hose connector on the control box.

---

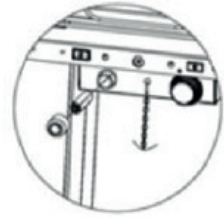
### Warning

Always test the hose for leaks during the leakage test described at the start of the instruction manual.

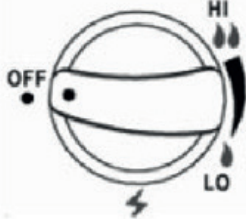




- Never use the heater while it is raining, the glass tube may break if suddenly coming into contact with water.
- Never splash liquid on the glass tube when the heater is on.
- The glass tube will be extremely hot when in operation, never try to touch it.
- Children and vulnerable people must be kept away from the heater at all times.
- Always ensure the heater stands firmly, the glass tube may break if the heater falls.
- Never use the heater if the glass tube has signs of damage ie. cracking.

# Ignition Instructions

Check and ensure that an AA battery is inside the ignition chamber and has power. Ensure the anode (+) faces outwards.



1. Ensure that the control knob is OFF. Slowly open the gas cylinder valve.
2. Press and turn the control knob to LIGHT position, push the igniter to generate spark while keeping control knob in pressed position
3. Check for pilot flame through glass tube. If pilot does not light, turn control knob to OFF position wait two minutes minimum and try again from the start. Several attempts may be necessary.
4. If the pilot is lit, keep control knob pressed for 15 seconds then turn the control knob to LOW.
5. For maximum heat turn control knob to HIGH.
6. To turn heater off, turn control knob to OFF.
7. Close the valve of the gas cylinder or the regulator after use.

	
OFF	
LIGHT	
LOW	
HIGH	

# Cleaning & maintenance

To enjoy outstanding performance of your heater for years make sure you perform the following maintenance activities on a regular basis:

- Keep exterior surfaces clean.
- Use warm soapy water for cleaning. Never use flammable, corrosive or abrasive cleaners.
- While washing your unit, be sure to keep the area around the burner and pilot assembly dry at all time. If the gas control is exposed to water in any way, do NOT try to use it. It must be replaced.
- After a long break from operation, the unit should be inspected for spiders, spider webs or other insects.
- Air flow must be unobstructed. Keep controls. Burner and circulating air passageways clean.

Signs of possible blockage include:

- Gas odour with extreme yellow tipping of flame.
- Heater does NOT reach the desired temperature.
- Heater glow is excessively uneven.
- Heater makes popping noises.
- Spider and insects can nest in burner or orifices. This dangerous condition can damage the heater and render it unsafe for use. Clean burner holes by using a heavy-duty pipe cleaner. Compressed air may help clear away smaller particles.
- Carbon deposits may create a fire hazard. Clean reflector and glass tube inside with soapy water if any carbon deposits develop. Always be careful when cleaning the glass tube.

## Storage

### Between uses:

- Turn the control knob to "OFF" position.
- Turn LPG cylinder to "OFF" position.
- Store heater upright in an area sheltered away from weather conditions (such as rain, sleet, hail, snow).
- If desired, cover heater to protect exterior surfaces and to help prevent dust and debris collecting in air passages.

## During periods of extended inactivity or when transporting:

- Turn the control knob to “OFF” position.
- Disconnect LPG Cylinder and move to a secure, well-ventilated location outdoors.
- DO NOT store in a location that will exceed 50 degrees C.
- Store heater upright in an area sheltered away from weather conditions (such as rain, sleet, hail, snow).
- If desired, cover heater to protect exterior surfaces and to help prevent dust and debris collecting in air passages.

---

### Warning

FOR YOUR SAFETY:

- DO NOT touch or move heater for at least 45 minutes after use.
- Allow all burner elements to cool before Touching.

---

### NOTE

- In a salt-air environment (such as near an Ocean) corrosion occurs more quickly than normal.
- Wait until heater is cool before covering.

## Disposal



In accordance with European Directive 2001/96/EG concerning used electrical and electronic appliances (waste electrical and electronic equipment – WEEE), please return any electrical equipment that you will no longer use to the collection points provided for their disposal.

This symbol indicates that the appliance cannot be treated as normal domestic trash, but must be handed to a collection point for recycling electric and electronic appliances.

Information concerning where the equipment can be disposed of can be obtained from your local authority.

## Customer Service

- Repairs must be carried out by authorized specialists, thus ensuring electrical safety.
- Please contact with the service agent or a suitably qualified electrician.
- Improper repairs could lead to danger to the user.

Warranty does not cover damage of failure which results from alteration, accident, misuse, abuse, neglect, commercial use or improper maintenance. In line with our policy of continuous product development we reserve the right to change the product and documentation specifications without notice.



## **Heat Outdoors**

Unit 9, Stort Valley Industrial Estate  
Stansted Road, Bishop's Stortford  
Hertfordshire, United Kingdom  
CM23 2TU

[www.heat-outdoors.co.uk](http://www.heat-outdoors.co.uk)

01279 466500

[info@heat-outdoors.co.uk](mailto:info@heat-outdoors.co.uk)