

# Shadow Diffusion 2.1kw Table-top Patio Heater

Safety Instructions and Operation Manual  
902120



**Heat Outdoors**  
Unit 9, Stort Valley Industrial Estate  
Stansted Road, Bishop's Stortford  
Hertfordshire, United Kingdom  
CM23 2TU

[www.heat-outdoors.co.uk](http://www.heat-outdoors.co.uk)  
**01279 466500**  
[info@heat-outdoors.co.uk](mailto:info@heat-outdoors.co.uk)

# Contents

Brief Introduction . . . . .	3
Important Information . . . . .	3
Safety Instructions . . . . .	4
Installation Instructions . . . . .	6
Assembly Instructions . . . . .	7
Operation Instructions . . . . .	9
Customer Service . . . . .	11

# Brief Introduction

Thank you for choosing our Shadow Diffusion Table-top Patio Heater. This instruction manual will provide you with valuable information necessary for the proper care and maintenance of your new product. Please take a few moments to thoroughly read the instructions and familiarise yourself with all the operational aspects of your new heater.

## Important Information

---

### WARNING

This heater is not equipped with a device to control the room temperature.

**DO NOT** use this heater in small rooms when they are occupied by persons not capable of leaving the room on their own, unless constant supervision is provided.

---

### CAUTION

Some parts of this product can become very hot and cause burns. Particular attention has to be given where children and vulnerable people are present.

Please carefully read all instructions provided before using this appliance. This heater must be installed in accordance with the instructions and local regulations.

This Operation Manual contains important information for your safety, as well as some recommendations for the correct use, installation and maintenance of the appliance.

When operating this infrared heater be sure to observe necessary precautions as improper operation with disregard of these precautions may result in harm to health of the user, other people or objects.

- Unpack the heater making sure that all the items are present and that there are no components left in the box and that the heater head is free from any packing material.
- Using the detailed drawings, follow the steps to assemble your heater.
- **DO NOT** connect the heater to the electrical supply until assembly is complete.
- **DO NOT** connect the heater to the electrical supply if any of the components or the power cord is damaged in any way.

# Safety Instructions

## Read these instructions before operating or assembly.

---

### WARNING

Potential fire risk if the heater is covered by any material or positioned close to curtains or other flammable materials.

Only use the heater on a firm solid horizontal area where all the feet on the base are in contact with the floor. (Should the heater be tilted or fall over the auto cut off switch will activate).

When using this electric unit, basic safety precautions should be followed to reduce the risk of fire, electric shock, and injury to persons, including the following:

- Site the heater outside or in a large open area and well away from any obstructions such as branches or where the heater is near any objects that can be affected by heat, such as furniture, curtains or other inflammable objects (minimum distance 1 metre).
- **DO NOT** push any items through, obstruct or cover the grill of the heater.
- **DO NOT** position immediately above or below an electrical socket.
- **DO NOT** touch the heater head when in use.
- The unit must be placed with a clearance of 100cm to the wall and ceiling.
- When the power supply cord is damaged, it must be replaced by an authorised agent or other electrical professional to avoid danger/injury.
- This appliance is not intended for use by persons (including children) with reduced physical, sensory or mental capabilities, or lack of experience and knowledge, unless they have been given supervision by a person responsible for their safety.
- Children should be supervised to ensure that they do not play with the appliance.
- **CAUTION:** Risk of Electric Shock. **DO NOT** open or try to repair the heater yourself.
- This heater may get hot when in use. To avoid burns, **DO NOT** let bare skin touch hot surfaces.
- Keep combustible materials, such as furniture, pillows, bedding, paper, clothes, and curtains at least one meter from the heater and keep them away from the sides, top, and rear. **DO NOT** place towels or other objects on the heater.
- **DO NOT** operate any heater with a damaged cord or after the heater malfunctions, has been dropped or damaged in any manner. Return heater to authorised service facility for examination, electrical or mechanical adjustment, or repair.
- This heater is not intended for use in bathrooms, laundry areas and similar indoor locations. **NEVER** locate heater where it may fall into a bathtub or other water container. To protect against electrical hazards, **DO NOT** immerse in water or

other liquids.

- **DO NOT** touch the control panel or plug with a wet hand.
- **DO NOT** run cord under carpeting. **DO NOT** cover cord with throw rugs, runners or similar coverings. Arrange cord away from high traffic areas and where it could be a trip hazard.
- **DO NOT** insert or allow foreign objects to enter any ventilation or exhaust opening as this may cause an electric shock or fire, or damage the heater.
- To prevent a possible fire, **DO NOT** block the air intakes or exhaust in any manner. **DO NOT** use on soft surfaces, like a bed, where openings may become blocked.
- A heater has hot and arcing or sparking parts inside. **DO NOT** use in areas where gasoline, paint, explosive and/or flammable liquids are used or stored. Keep unit away from heated surfaces and open flames.
- Where possible is is always best not to use an extension cord because the extension cord may overheat and cause a risk of fire. However, if you have to use an extension cord, the cord should be 1.5mm<sup>2</sup> minimum size and should always be fully uncoiled and checked for safety before use.
- To avoid fire or shock hazard, plug the unit directly into a 220-240V and 13A electrical socket outlet.
- To disconnect heater, turn controls to **OFF**, then remove plug from outlet. Pull firmly on plug, **DO NOT** unplug by pulling on the cord.
- Always unplug the unit before moving or cleaning, or whenever the heater is not in use.
- Intended only for household use as described in this manual. Any other use not recommended by the manufacturer may cause fire, electric shock, or injury to persons. The use of attachments not recommended or sold by unauthorised dealers may cause hazards.
- Always use on a dry, level surface.
- **WARNING:** To reduce the risk of fire or electric shock, **DO NOT** use this unit with any solid-state speed control device.
- **DO NOT** attempt to repair or adjust any electrical or mechanical functions on this unit. Doing so will void your warranty. The inside of the unit contains no user serviceable parts. Qualified personnel should perform all servicing only.
- Connect to properly grounded outlets only.
- SAVE THESE INSTRUCTIONS.

# Installation Instructions

Shadow Diffusion Table-top Patio Heater is built with the best quality components in accordance to the prevailing legal regulations and certified for safe in use. When using the heater, please carefully follow the instructions and recommendations below.

## Connection to 220-240 Volts Power Supply

- It is important to ensure that the electricity supply is of adequate capacity for the electrical load required by the appliance being installed.

## Installation Placement

Minimum required distances:

- 1000mm from the side wall
- 1000mm from the ceiling

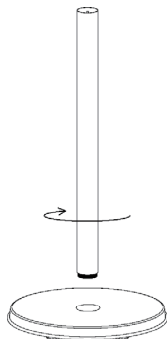
Generally heaters must be placed at a safe distance (clear space) of at least 2.0m from combustible materials and glass walls. If installed in workshops or garages where inflammable or combustible paints are used, the heaters must be installed at a distance of at least 4.0m from the source of danger.

If the heaters are placed in areas where spray painting of any description is taking place, they should not be used during the painting operations.

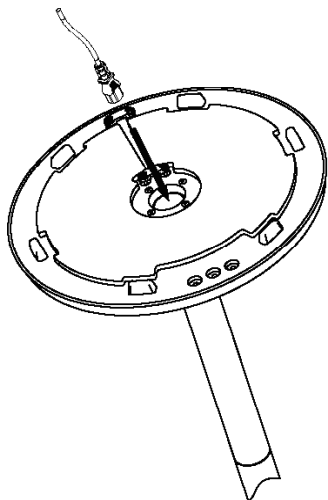
Never use the heater in particularly dusty and explosive areas.

# Assembly Instructions

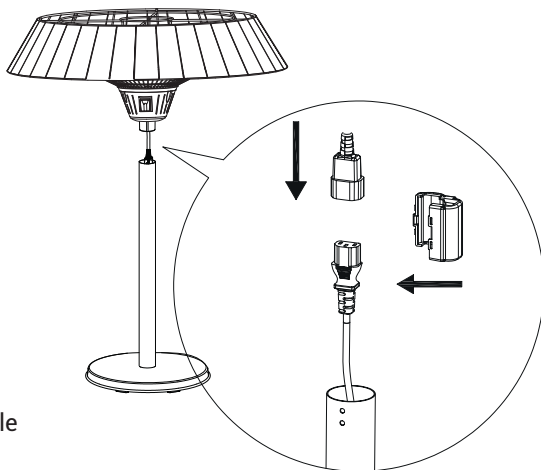
1. Connect the tube with base by screwing them together.



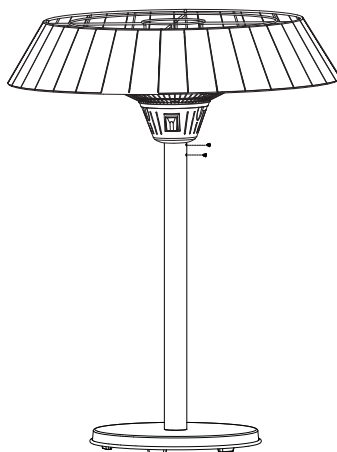
2. Pull the power cord through the pole and base.



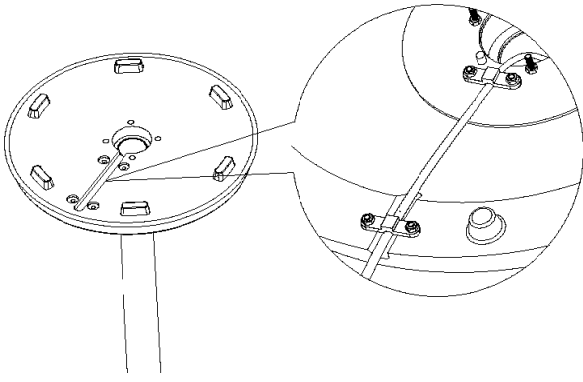
3. Connect the power cord plug to the socket in the heater head.



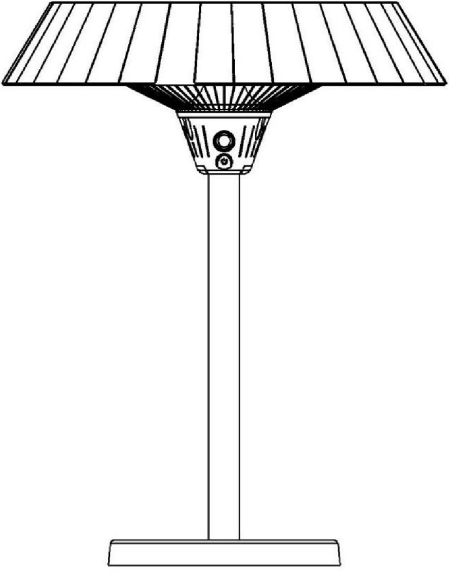
4. Push the Heater Head onto the pole and fix into position using the 2\*8 mm screws



5. Fix the power cord with the press clips in the base.



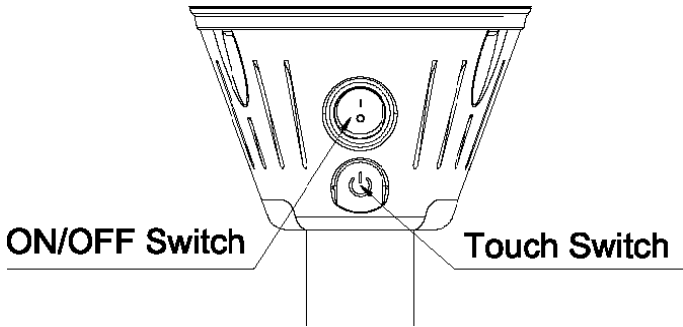
Complete





# Operation Instructions

Connect the power cable to a 220-240V, 13 amp supply that is located in a safe, dry area.



## Touch Control

- Press the button (I), the heater will be in ready mode.
- Touch the touch switch once, the heater will be on at 900W power output.
- Touch the touch switch twice, the heater will be on at 1200W power output.
- Touch the touch switch three times, the heater will be on at 2100W power output.
- Touch the touch switch four times, the heater will be in ready mode.
- Press the button (O), the heater will turn off.

## Safety Information

- Although the patio heater is shower proof, do not use when raining or in wet conditions.
- Always disconnect the power cable from the electrical supply, when the patio heater is not in use.

# Cleaning & maintenance

## Heater housing, grills and internal reflector

- Disconnect the appliance from the power supply system.
- After the appliance has cooled down, the housing can be wiped clean with a damp cloth.
- Do not touch the bulb element with your fingers, since stains could build up from such a contact and may cause malfunction of the bulb.
- Do not use any abrasive or hard cleaning products on any part of this heater.
- Do not immerse the appliance in water.
- Wait until the unit is completely dry before use.

## Cleaning of heater lamp

- Disconnect the appliance from the power supply system.
- Wipe the lamp over with a damp cloth ensure no detergents or cleaning fluids are used as they may cause damage to the lamp coating.

<https://www.heat-outdoors.co.uk/help-desk/useful-articles/heater-and-lamp-maintenance.html>

Any maintenance or repairs should only be carried out by a qualified electrician if you're unsure how to do so. For further information and guidance, visit our online help articles and videos.

## Storage

If the heater will not be used for a long period of time, store it in a cool, dry location. To prevent dust and dirt build-up, use the original packaging to repack the heater.

## Trouble Shooting

If the heater will not operate, please check the following before seeking repair of service:

- Check if the power cord is plugged into an electrical outlet, if not, plug in.
- Check if electricity to the main fuse is working.
- Make certain the power switches on the heater are turned on. If not, choose a setting.

# Disposal



In accordance with European Directive 2001/96/EG concerning used electrical and electronic appliances (waste electrical and electronic equipment – WEEE), please return any electrical equipment that you will no longer use to the collection points provided for their disposal.

This symbol indicates that the appliance cannot be treated as normal domestic trash, but must be handed to a collection point for recycling electric and electronic appliances.

Information concerning where the equipment can be disposed of can be obtained from your local authority.

# Technical Specification

Ratings: 220-240V AC 50-60Hz

Max wattage: 2100W

Insulation: Class 1

Ingress rating: IP44

# Customer Service

- Repairs must be carried out by authorised specialists, thus ensuring electrical safety.
- Please contact us or a suitably qualified electrician.
- Improper repairs could lead to danger to the user.

Warranty does not cover damage or failure which results from alteration, accident, misuse, abuse, neglect, commercial use or improper maintenance. In line with our policy of continuous product development we reserve the right to change the product and documentation specifications without notice.



## **Heat Outdoors**

Unit 9, Stort Valley Industrial Estate  
Stansted Road, Bishop's Stortford  
Hertfordshire, United Kingdom  
CM23 2TU

[www.heat-outdoors.co.uk](http://www.heat-outdoors.co.uk)

01279 466500

[info@heat-outdoors.co.uk](mailto:info@heat-outdoors.co.uk)