

# Shadow Peak Infrared Patio Heater

Safety Instructions and Operation Manual  
901698



**Heat Outdoors**  
Unit 9, Stort Valley Industrial Estate  
Stansted Road, Bishop's Stortford  
Hertfordshire, United Kingdom  
CM23 2TU

[www.heat-outdoors.co.uk](http://www.heat-outdoors.co.uk)  
01279 466500  
[info@heat-outdoors.co.uk](mailto:info@heat-outdoors.co.uk)

# Contents

Brief Introduction . . . . .	3
Important Information . . . . .	3
Technical Specifications . . . . .	3
Safety Instructions . . . . .	4
Installation . . . . .	6
Cleaning & maintenance . . . . .	8
Customer Service . . . . .	9

# Brief Introduction

This product is an infrared radiant heater with IP55 rating. This product can be used in indoor and outdoor settings, such as hotel lobby areas, open bars, courtyards, shopping centres, travel station, workshops, and construction sites in winter. This patio heater is energy-efficient, convenient, environmentally friendly and for better life.

## Important Information

Please carefully read all instructions provided before using this appliance. This heater must be installed in accordance with the instructions and local regulations.

This Operation Manual contains the important information on your safety, as well as some recommendations on the correct use, installation and maintenance of the appliance.

When operating this infrared heater be sure to observe some precautions as improper operation with disregard of precautions may result in infliction of harm to health of the user and other people.

**Ensure to keep this manual along with sales receipt, and if possible, cardboard package and packing material in case return of the unit is necessary.**

## Technical Specifications

Model No.	CH18A11W2 901698
Voltage	230V-240V~, 50Hz
Power (W)	1800
Installation	Wall
Product Dimensions (mm)	596*135*300
Insulation	Class I
Water Ingress Protection	IP55

# Safety Instructions

## Read these instructions before using.

---

### WARNING

Potential fire risk if the heater is covered by any material or positioned close to curtains or other flammable materials.

- Use only the voltage specified on the rating plate of the heater.
- The heater should be connected to the electric mains equipped with an automatic circuit breaker.
- The unit must be handled with care.
- Do not use the appliance areas where gasoline, paint or other flammable liquids are used or stored.
- When using this heater in an area susceptible to dust such as building sites, barns or stables, take extra care to clean the lamp to avoid build up of dust on the internal element.
- Do not use the appliance as a sauna heater.
- Do not touch the radiating plate when the heater has been in use, wait for a minimum of 30 minutes before touching any part of the heater. To avoid burns, do not touch the appliance surface by hand and other body parts
- Do not place any items of clothing, hand towels or similar over the heater to dry.
- Do not leave the heater unattended whilst in use.
- Do not install this heater on a wet surface, or where it can fall or be pushed into water.
- In the event the heater falls into water do not reach for the appliance. Switch off at supply and unplug immediately.
- If the supply cord is damaged, it must be replaced by the manufacturer.
- If the heater is defective, it must be checked and repaired by the manufacturer, its service agent or similarly qualified persons in order to avoid a hazard.
- Use this appliance only as described in this manual. Any other use is not recommended by the manufacturer and may cause fire, electric shock or injury.
- Do not use abrasive cleaning products on this appliance. Clean with a damp cloth with hot soapy water only. Always remove plug from the mains supply before cleaning.
- The heater must be installed at least 1.8 m above the floor.
- The heater must not be located immediately below a socket-outlet nor should the socket-outlet located at the back of the heater. This should be located outside the physical footprint of the units to minimize heat build-up behind the heater.

- If the heater is to be mounted on an incline (eg. Vaulted ceiling), ensure the electrical connection is located at that lowest point of the heater.
- Do not operate with the cord coiled up as this could cause a build-up of heat, which could pose a hazard.
- The use of an extension cord with this appliance is not recommended unless purchased from the manufacturer with the heater.
- Do not run cord under carpeting, throw rugs or runners etc.
- Children under the age of 5 years should not be left unattended with the heater at any time.
- Do not use appliance or any part of the appliance out of the intended use to avoid risk.
- The use of attachments which are not recommended or sold by the appliance manufacturer may cause a risk of injury to persons.
- Install and operate the heater in strictly horizontal position on the ceiling or ceiling structural elements. At that, thermal resistance of the ceiling coating material should be at least 80 °C.

---

**WARNING**

This heater is not equipped with a device to control the room temperature.

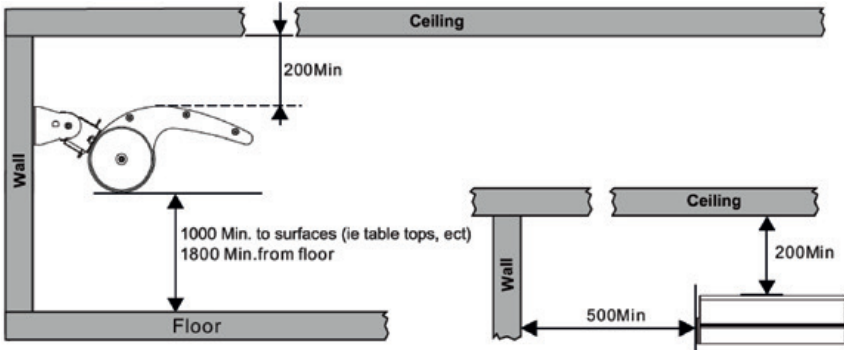
# Installation

## Safe distances required for installation

### Attention:

Install the heater at a minimum distance of:

- 1.8 m above the ground
- 0.5m from walls
- 0.2m from the ceiling
- 1.5m from the combustible materials like curtains
- 1m from people or animals



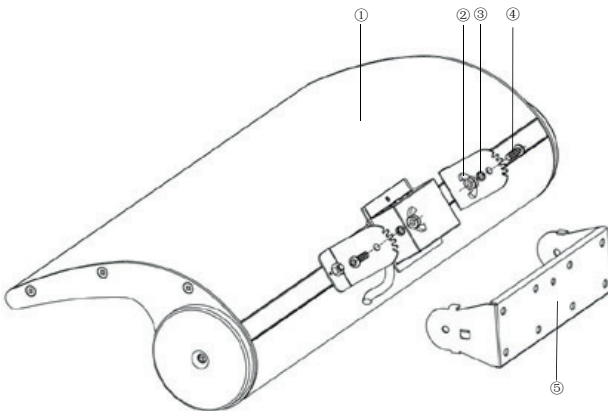
	0°	15°	30°
Ceiling			
Wall			

# Installation Procedure

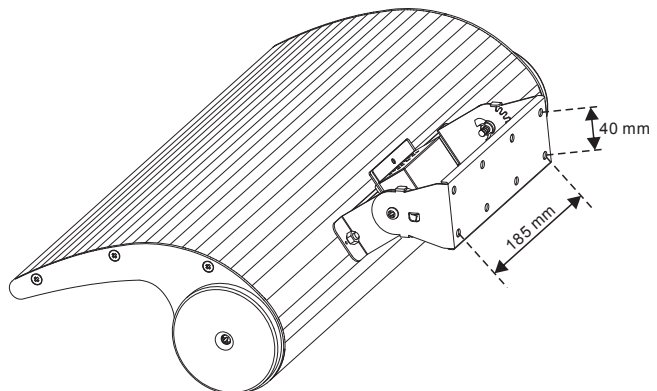
Take every precaution to ensure that the suitable clearance is given to the heater as described in the previous section.

1. Mark the pilot holes on the surface where the heater will be installed using the measurements provided or directly using the wall-mounted bracket.
2. Attach your chosen fixings through to fix the wall-mounted bracket the wall.
3. Attached the heater according to the diagram with the supply heater fixing parts.
4. Directly plug your heater into the mains supply or hard wire into a circuit board, the heater will automatically turn on once the power supply is ON. (If this does not happen, contact Heat Outdoors to run through troubleshooting).

Contact us to acquire our innovative control boxes for optimum comfort and performance from your installation.



Part no.	Part name	Qty
①	Heater	1
②	Butterfly nut M6	2
③	Spring washer Φ6.2mm	2
④	Machine Screw M6*16mm	2
⑤	Wall-mounted bracket	1



# Cleaning & maintenance

## Heater housing, grills and internal reflector

- Disconnect the appliance from the power supply system.
- After the appliance has cooled down, the housing can be wiped clean with warm soapy water using a damp cloth.
- Do not touch the bulb element with your fingers, since stains could build up from such a contact and may cause malfunction of the blub.
- Do not use any abrasive or hard cleaning products on any part of this heater.
- Do not immerse the appliance in water.

## Cleaning of heater lamp

- Disconnect the appliance from the power supply system.
- Wipe the lamp over with a damp cloth ensure no detergents or cleaning fluids are used as they may cause damage to the lamp coating.

<https://www.heat-outdoors.co.uk/help-desk/useful-articles/heater-and-lamp-maintenance.html>

Any maintenance or repairs should only be carried out by a qualified electrician if you're unsure how to do so. For further information and guidance, visit our online help aerticles and videos.

## Disposal



In accordance with European Directive 2001/96/EG concerning used electrical and electronic appliances (waste electrical and electronic equipment – WEEE), please return any electrical equipment that you will no longer use to the collection points provided for their disposal.

This symbol indicates that the appliance cannot be treated as normal domestic trash, but must be handed to a collection point for recycling electric and electronic appliances.

Information concerning where the equipment can be disposed of can be obtained from your local authority.



# Customer Service

- Repairs must be carried out by authorized specialists, thus ensuring electrical safety.
- Please contact us or a suitably qualified electrician.
- Improper repairs could lead to danger to the user.

Warranty does not cover damage of failure which results from alteration, accident, misuse, abuse, neglect, commercial use or improper maintenance. In line with our policy of continuous product development we reserve the right to change the product and documentation specifications without notice.







## **Heat Outdoors**

Unit 9, Stort Valley Industrial Estate  
Stansted Road, Bishop's Stortford  
Hertfordshire, United Kingdom  
CM23 2TU

**[www.heat-outdoors.co.uk](http://www.heat-outdoors.co.uk)**

**01279 466500**

**[info@heat-outdoors.co.uk](mailto:info@heat-outdoors.co.uk)**