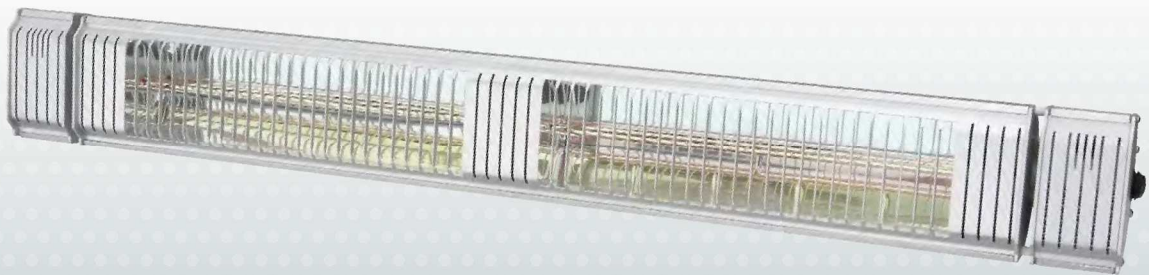


HEAT outdoors

SHADOW XT INFRARED PATIO HEATER

Safety Instructions & Operation Manual



SAFETY INSTRUCTIONS

When using electrical appliances, basic safety precautions should always be followed to reduce the risk of fire, electric shock, or injury to persons. Read all instructions before using this heater. This heater is hot when in use .

- To avoid burns,do not let bare skin touch hot surfaces.If provided ,use handles when moving this heater.
- Keep combustible materials,such as furniture,pillows ,bedding ,papers,clothes and curtains at least 0.9m from the front of the heater.
- Extreme caution is necessary when any heater is used by or near children.
- Always unplug heater when not in use
- Do not operate any heater with a damaged cord or plug or after the heater malfunctions, has been dropped or damaged in any manner. Discard heater, or return to authorized service facility for examination and/or repair.
- This heater is not intended for use in bathrooms, laundry areas and similar locations. Never locate heater where it may fall into a bathtub or other water container.
- Arrange cord away from any traffic area and where it will not become a hazard/ caution to users.
- To disconnect heater, turn controls off, then remove plug from outlet.
- Do not insert or allow foreign objects to enter any ventilation or exhaust opening as this may cause an electric shock or fire, or damage the heater.
- To prevent a possible fire, do not block air intakes or exhaust in any manner. Do not use on soft surfaces where openings may become blocked.
- Do not use it in areas where gasoline, paint, or flammable liquids are used or stored.
- Use this heater only as described in this manual. Any other use not recommended by the manufacturer may cause fire, electric shock, or injury to persons.
- Always plug heaters directly into a wall outlet. It is not advised to use with an extension cord or relocatable power tap (outlet/power strip). If users decide to use with extension lead or relocatable power tap, make sure the current carrying capacity and rated voltage correspond to the relative regulation.
- Check if the voltage indicated on the nameplate of the appliance corresponds to the local mains voltage before you connect the appliance.
- The casing and the front cover of the appliance may become extremely hot during operation. Please ensure that in wind or adverse weather conditions no combustible material or covers obstructs the appliance, such as curtains, marquees, flags, plastic etc do not touch the appliance.
- In case of improper use, there is a risk of electrical shock and/or fire hazard. Operation of the appliance must be discontinued and remove the mains plug immediately. Do not try to repair the appliance by yourself. Please contact with the service agent or a suitably qualified electrician for maintenance.
- Remove the plug from the power outlet and wait until the appliance is sufficiently cooled off before cleaning.
- Keep out of reach of children. In order to keep children from the dangers of electrical appliances, never leave them unsupervised with the machine.
- The appliance must only be mounted by an authorized specialist, paying attention to the relevant regulations of the power supply companies and the regional construction regulations.

Operation Instruction

- Remove all package material (including anti-vibration object of the lamp) and check the appliance, supply cord and the plug for signs of damage.
- Pay attention to the mounting place and all mounting material(dowels, screws). Ensure they are suitable and stable enough for mounting and lastingly holding of the appliance.
- Before mounting, the minimum safe mounting distances and tilt angles shown in the figures must be strictly followed.
- The distance between the bottom edge of the appliance and the floor must be at least 1.8 M. See figure 2.
- There must be a distance of at least 0.4 M between the appliance and the ceilings, roofs or other covers. See figure 2.
- There must be a distance of at least 0.5 M at each side between the appliance and walls or the like. See figure 2.
- Recommended degree to mounting surface is 45. See figure 3.
- Pay attention that, the installation of the appliance must not add excessive wind load.Fix the mounting bracket to the wall first. Ensure that the place to be installed is secure and firm or connect the appliance to a stand.

Figure 1: Mounting bracket (wall bracket) and raw plugs provided. Connection from the wall to the infrared heater.

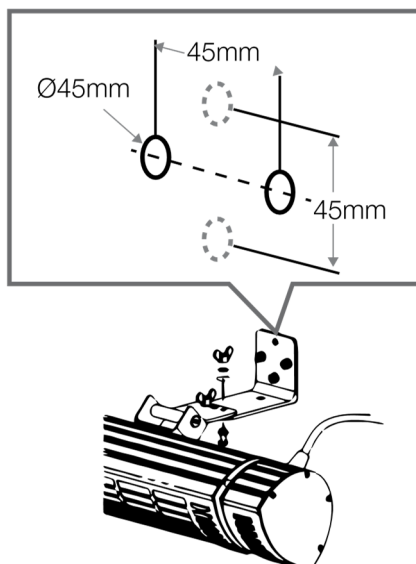


Figure 2: Minimum distances to floor, ceiling and wall.

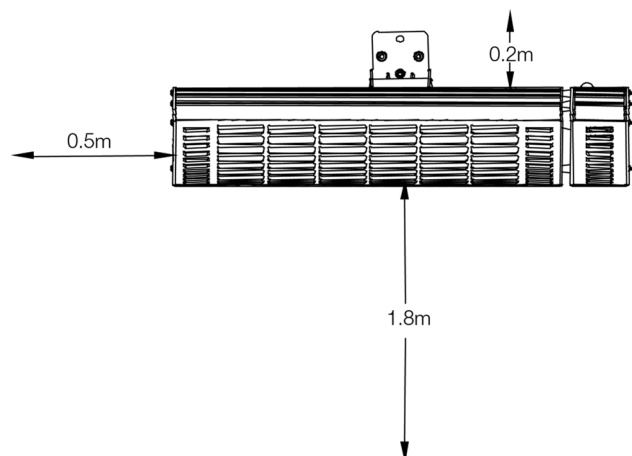
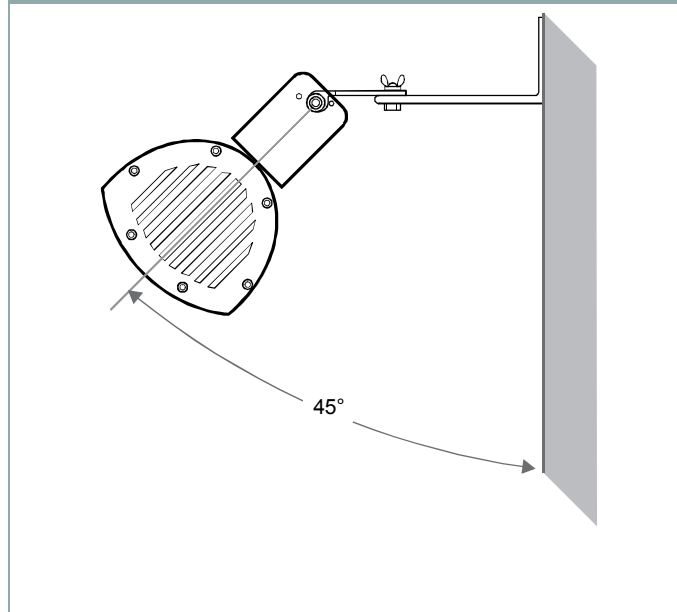


Figure 3: Mounting bracket (wall bracket) and raw plugs provided. Connection from the wall to the infrared heater.



SPECIFICATIONS

Specification	SHADOWBT ULG1500S	SHADOWBT ULG2000S	SHADOWBT ULG3000S	SHADOWBT ULG4000S
Voltage (V)	220-240	220-240	240-240	240-240
Power consumption (W)	1500W	2000W	3000W	4000W
Dimensions W × H × D (mm)	556 × 130 × 175	556 × 130 × 175	990 × 130 × 175	1090 × 130 × 175
Weight (kg)	2.5	2.5	4.2	5
Infrared receiving Angle	60°±5°	60°±5°	60°±5°	60°±5°
The control distance (m)	6	6	6	6
				Dual remote

BLUETOOTH OPERATION

A free Bluetooth App is available to download for this heater for either your iPhone, iPad or Android device.







The 'Shadow Heater' App will allow you to connect remotely to many heaters and control them independently. Control functions include:

- On/Off
- Variable heat output from 0 to 100%
- Timer with auto shut off
- Password connection to heaters
- Individual heater identification and control

To download, search for 'Heat Outdoors' in your App store and add to your device.

REMOTE CONTROL

Remote Control Instructions

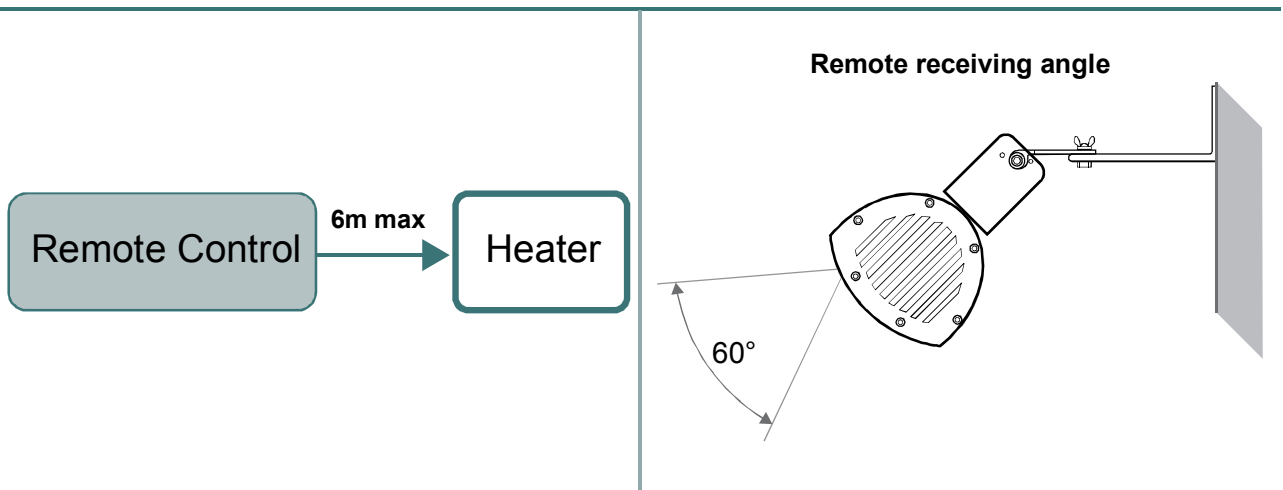
	Button	Graphic	Feature
	Up Arrow		Increase heating level
	Max		The heater goes directly to the highest heating level.
	Down Arrow		Decrease heating level
	On		To switch the heater on: Press ON. The patio heater has a soft start function of 33% power. 4 seconds after the heater has been turned on, it will automatically switch to the last heating level used. In case of the first-time use, after 4seconds the heater will automatically switch to 100% power.
	Off		To switch the heater off: Press OFF. The heater will switch to standby mode (the receiver indicator will light up).

Notice :

- Use 2 pieces AAA size 1.5V batteries in the remote control. Remove the battery when not use for long time, thus the lifespan of remote control can be extended.
- Choose the same specification battery when replacing the battery inside, otherwise it may cause remote control not work, thereby affect the normal use of the heater.
- The heater can be still used in normal except remote control function if the remote control is missed or lost. Please contact service agent for further help if you need the function.
- The remote control function may be out of work if there is a barrier between the remote control and heater.
- Replacing the batteries duly so as not to affect the normal use of heater and remote control.



REMOTE CONTROL



NOTICE

- Use 2 AAA 1.5V batteries in the remote control. Remove batteries when not use for long periods.
- The remote control function may not work if there is a barrier between the remote control and heater.

Cleaning and Maintenance

- This appliance is consist of a robust and maintenance-free aluminum casing with a protection cover. No user serviceable parts inside.
- Before cleaning, remove the plug from the power outlet and wait until the appliance is sufficiently cooled off.
- Wipe the appliance only with clean and lint-free cloth or a soft brush.
- Never use abrasive cleaners, scrubbing brushes and chemical cleaners for cleaning!
- Alcohol can be used to clean the appliance.
- To protect against electrical shock and danger of life, do not immerse cord, plug, or any part of the appliance in water or other liquid.
- For heating element replacement, please contact the manufacturer or its service agent or a similarly qualified person.

-
- Any other service, please contact with the service agent or a suitably qualified electrician.
-

Customer Service

- Repairs must be carried out by authorized specialists, thus ensuring electrical safety. Please contact with the service agent or a suitably qualified electrician.
- Improper repairs could lead to danger to the user.
- This warranty does not cover damage of failure which results from alteration, accident, misuse, abuse, neglect, commercial use or improper maintenance.

In line with our policy of continuous product development we reserve the right to change the product and documentation specifications without notice

E: **info@heat-outdoors.co.uk**

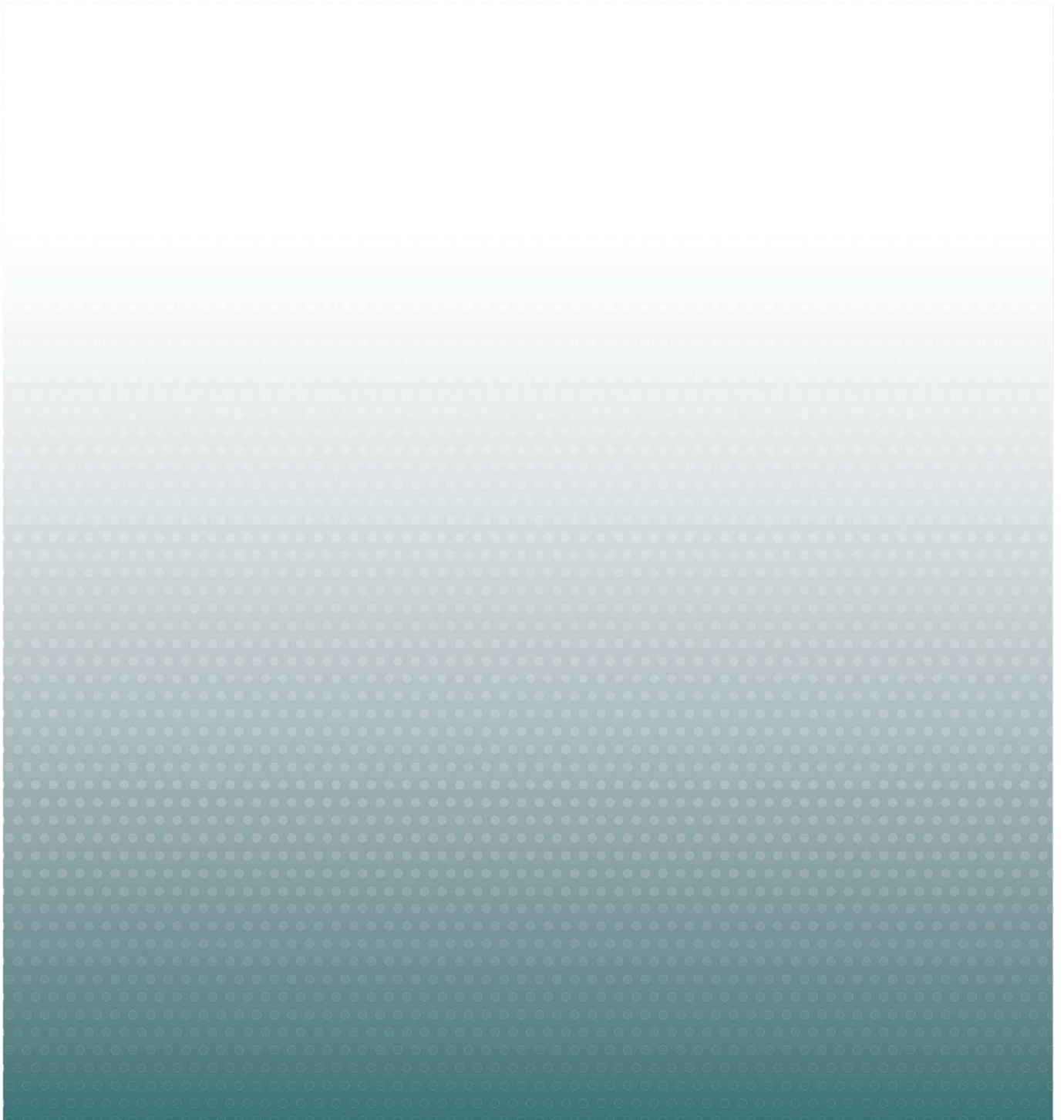
T: +44 (0) 1279 466500

A: Unit 9, Stort Valley Industrial Estate

Bishops Stortford

Hertfordshire

CM23 2TU



www.heat-outdoors.co.uk