

HEAT outdoors

Heat Outdoors SHADOW INFRARED PATIO HEATER

Safety Instructions
and Operation Manual



Brief Introduction

This product is infrared radiant heater. This product can be used in indoor and outdoor settings, such as hotel lobby areas, open bars, restrooms, courtyards, shopping centers, travel station, workshops, and construction sites in winter. This patio heater is energy-efficient, convenient, environmentally friendly and for better life

Important Safety Instructions

When using electrical appliances, basic safety precautions should always be followed to reduce the risk of fire, electric shock, or injury to persons, etc.

Read through the operation and assembly instructions before operating the appliance.

- Extension cords and multi-sockets may be used only if care is exercised in their use. The marked electrical rating of the extension cord or multi-socket should have adequate current carrying capacity and correspond to the relevant regulations of the power supply companies and the regional construction regulations.
- The appliance should not be located immediately below an electrical wall socket.
- Never install this appliance close to anything flammable, such as furniture, curtains, etc.
- In order to avoid overheating and fire hazard, do not cover or obstruct. Do not put any of the following materials on the appliance, such as clothes, blanket, pillow, paper etc.
- Allow a minimum of 1M distance between the appliance and flammable materials must always be maintained.
- Do not touch. Caution! Risk of injury!
- Do not let the cord hang over edge of table or counter, or touch hot surfaces.
- If the supply cord is damaged, it must be replaced by the manufacturer or its service agent or qualified electrician.
- As with any electrical appliance there is a risk of electrical shock and/or fire hazard if used incorrectly. In case of damage, switch off the unit remove the mains plug from the socket immediately.
- Remove the plug from the power outlet and wait until the appliance is sufficiently cooled before cleaning.
- Keep out of reach of children. In order to keep children from the dangers of electrical appliances, never leave them with a heater unsupervised, and ensure it is situated safely and out of harms way.



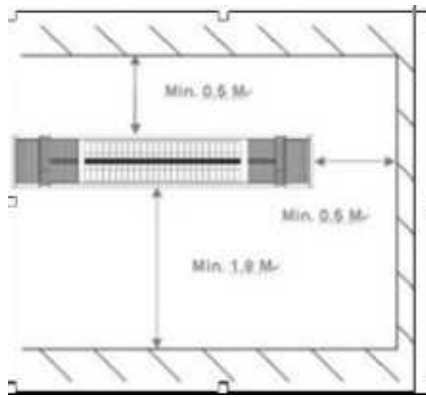
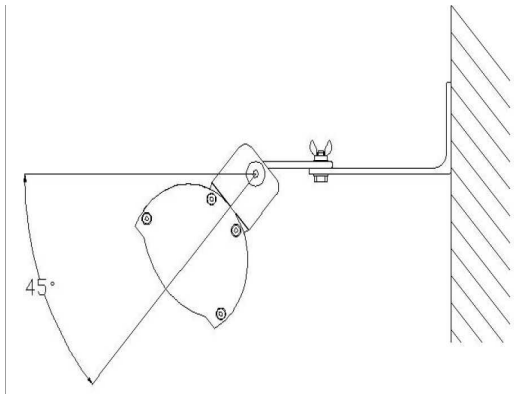
Installation

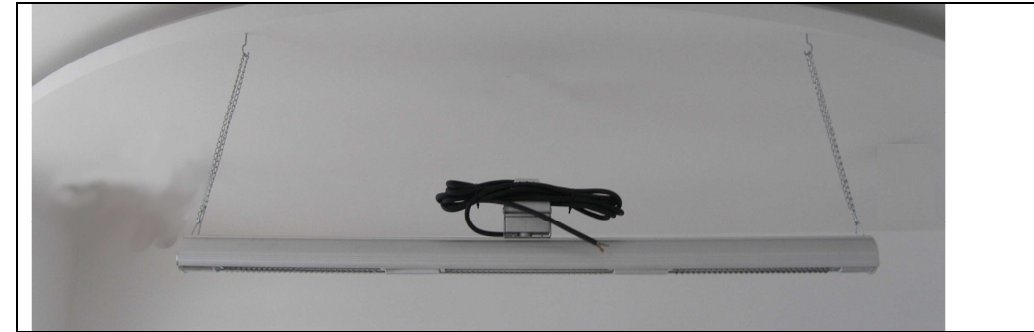
For additional protection the installation of a residual current device (RCD) is advisable.

- Remove all package material (including anti-vibration foam on the lamp) and check the appliance, supply cord and the plug for signs of damage.
- Before mounting, the minimum safe mounting distances and tilt angles shown in the figures must be strictly followed.
- The distance between the bottom edge of the appliance and the floor must be at least 1.8meter
- There must be a distance of at least 0.4 M between the appliance and the ceilings, roofs or other covers

Thank you for purchasing our products. Please read this instruction manual carefully before using and operating. Please use in strict accordance with the instructions, and especially pay attention to "Important Safety Instructions".

- Recommended degree to mounting surface is 45°. See figure 4.
- The infrared heater could also be adjusted slightly from left to right. The max. degree of movement is 90°.
- Fix the mounting bracket on the wall securely. Alternatively this heater can be attached to a heater stand.
- If mounted facing straight down, heaters need to be in a well-ventilated area and must be at least 0.5M away from any ceiling or obstructions to the airflow above them. See figure 3.

<p>Figure 1: Mounting bracket (wall bracket) and anchor raw-plugs.</p>	<p>Figure 2: Connection from the stand to the infrared heater. (Stands can be purchased separately.)</p>
	
<p>Figure 3: Min. distance to floor, ceiling and wall</p>	<p>Figure 4: Tilt angle</p>
	
<p>Hanging</p>	



Specifications

Voltage (V)	<input type="checkbox"/> 220-240V
Power (W)	<input type="checkbox"/> 1500W <input type="checkbox"/> 2000W
	<input type="checkbox"/> 2×1500W <input type="checkbox"/> 2×2000W
IP protection	<input type="checkbox"/> IP65

Cleaning and Maintenance

- Before cleaning remove the plug from the power outlet and wait until the appliance is sufficiently cooled.
- Wipe the appliance with clean lint-free cloth or a soft brush.
- Never use abrasive cleaners, scrubbing brushes and chemical cleaners.
- To protect against electrical shock, do not immerse cord, plug, or any part of the heater in water or other liquid.
- For heating element replacement ,please contact the manufacturer or its service agent or a similarly qualified person.

Disposal



In accordance with European Directive 2002/96/EG concerning used electrical and electronic appliances (waste electrical and electronic equipment – WEEE), please return any electrical equipment that you will no longer use to the collection points provided for their disposal.

This symbol indicates that the appliance cannot be treated as normal domestic trash, but must be handed to a collection point for recycling electric and electronic appliances. Information concerning where the equipment can be disposed of can be obtained from your local authority.

Customer Service

- Repairs must be carried out by authorized specialists, thus ensuring electrical safety.
- Please contact the service agent or a suitably qualified electrician.
- Improper repairs could lead to danger to the user.
- This warranty does not cover damage of failure which results from alteration, accident, misuse, abuse, neglect, commercial use or improper maintenance.
- In line with our policy of continuous product development we reserve the right to change the product and documentation specifications without notice.

info@heat-outdoors.co.uk

+44 (0) 1279 466500

Unit 9, Stort Valley Industrial Estate

Bishops Stortford

Hertfordshire

CM23 2TU