

HEAT outdoors

Heat Outdoors SHADOW PENDANT INFRARED PATIO HEATER

Safety Instructions and Operation Manual



Thank you for purchasing our products. Please read this instruction manual carefully before using and operating. Please use in strict accordance with the instructions, and especially pay attention to "**Important Safety Instructions**".

Brief Introduction

This product is infrared radiant heater. This product can be used in indoor and outdoor settings, such as hotel lobby areas, open bars, restrooms, courtyards, shopping centers, travel station, workshops, and construction sites in winter. This patio heater is energy-efficient, convenient, environmentally friendly and for better life.

Important Safety Instructions

When using electrical appliances, basic safety precautions should always be followed to reduce the risk of fire, electric shock, or injury to persons. Read all instructions before using this heater.

- This heater is hot when in use. To avoid burns, do not let bare skin touch hot surfaces. If provided, use handles when moving this heater.
- Keep combustible materials, such as furniture, pillows, bedding, papers, clothes and curtains at least 0.9m from the front of the heater.
- This appliance is not intended for use by persons (including children) with reduced physical, sensory or mental capabilities, or lack of experience and knowledge, unless they have been given supervision or instruction concerning use of the appliance by a person responsible for their safety.
- Turn off the electricity, remove the plug from the outlet when not in use.
- Do not try to repair yourself when the unit is broken (such as cord, plug etc), please contact the service agent for maintenance advice.
- This heater is not suitable to be located in bathrooms, laundry areas or similar locations.
- Arrange cord away from any traffic area and where it will not become a hazard/caution to users.
- Connect to properly earthed outlets only. To disconnect heater, turn controls off, then remove plug from outlet.
- Do not use the heater in areas where gasoline, paint, or flammable liquids are used or stored.
- Use this heater only as described in this manual. Any other use not recommended by the manufacturer may cause fire, electric shock, or injury to persons.
- Always plug heaters directly into a wall outlet. It is not advised to use with an extension cord or relocatable power tap (outlet/power strip). If users decide to use with extension lead or relocatable power tap, make sure the current carrying capacity and rated voltage correspond to the relative regulation.
- Check if the voltage indicated on the nameplate of the appliance corresponds to the local mains voltage before you connect the appliance.
- The casing and the front cover of the appliance may become extremely hot during operation. Please ensure that in wind or adverse weather conditions no combustible material or covers obstructs the appliance, such as curtains, marquees, flags, plastic etc do not touch the appliance.
- In case of improper use, there is a risk of electrical shock and/or fire hazard. Operation of the appliance must be discontinued and remove the mains plug immediately. Do not try to repair the appliance by yourself. Please contact with the service agent or a suitably qualified electrician for maintenance.

- Remove the plug from the power outlet and wait until the appliance is sufficiently cooled off before cleaning.
- Keep out of reach of children. In order to keep children from the dangers of electrical appliances, never leave them unsupervised with the machine.
- The appliance must only be mounted by an authorized specialist, paying attention to the relevant regulations of the power supply companies and the regional construction regulations.

Save These Instructions

Operation Instruction

- Remove all package material (including anti-vibration object of the lamp) and check the appliance, supply cord and the plug for signs of damage.
- Pay attention to the mounting place and all mounting material(dowels, screws). Ensure they are suitable and stable enough for mounting and lastingly holding of the appliance.
- Before mounting, the minimum safe mounting distances and tilt angles shown in the figures must be strictly followed.
- The distance between the bottom edge of the appliance and the floor must be at least 1.8 M. See figure 2.
- There must be a distance of at least 0.4 M between the appliance and the ceilings, roofs or other covers. See figure 2.
- There must be a distance of at least 0.5 M at each side between the appliance and walls. See figure 2.
- Please note that, the installation of the appliance must not be exposed to adverse weather conditions.
- Fix the mounting bracket on the wall first. Ensure that the place to be installed is secure and firm. Or connect the appliance to the stand.
- Adjust the desired angle of radiation and fasten all screws. Check regularly the screws' connection. Mechanical bearing pressure and oscillation due to wind or rain could become loose.
- Plug in the power source and operate the remote control. Please ensure that the heater operates in the first 10-15 minutes the appliance works trouble-free.

Figure1: Mounting bracket (wall bracket), anchor dowels or chains provided. Connection from the ceiling or wall to the infrared heater.

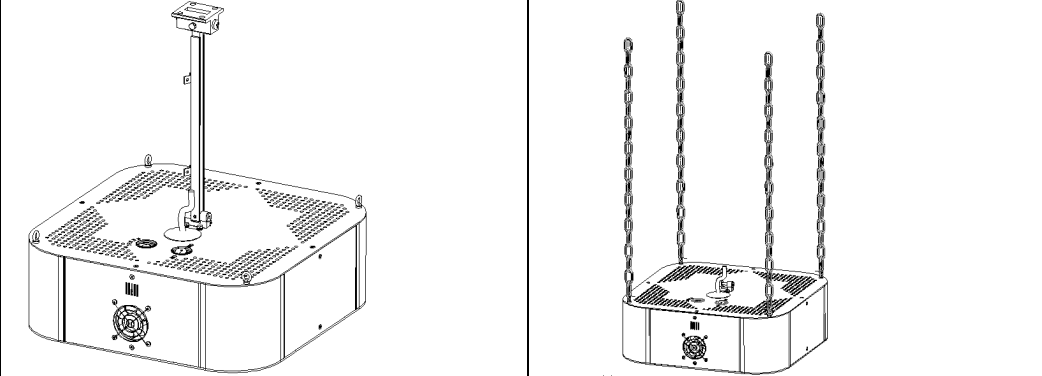
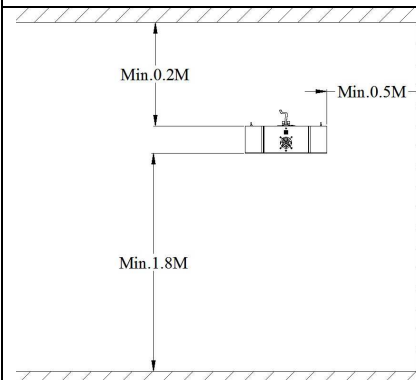


Figure2: Min. distance to floor, ceiling and wall



Receiving angle and control distance

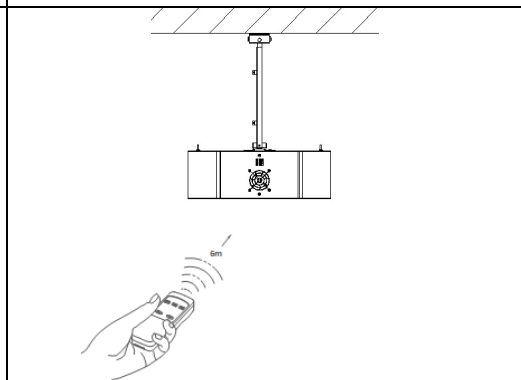
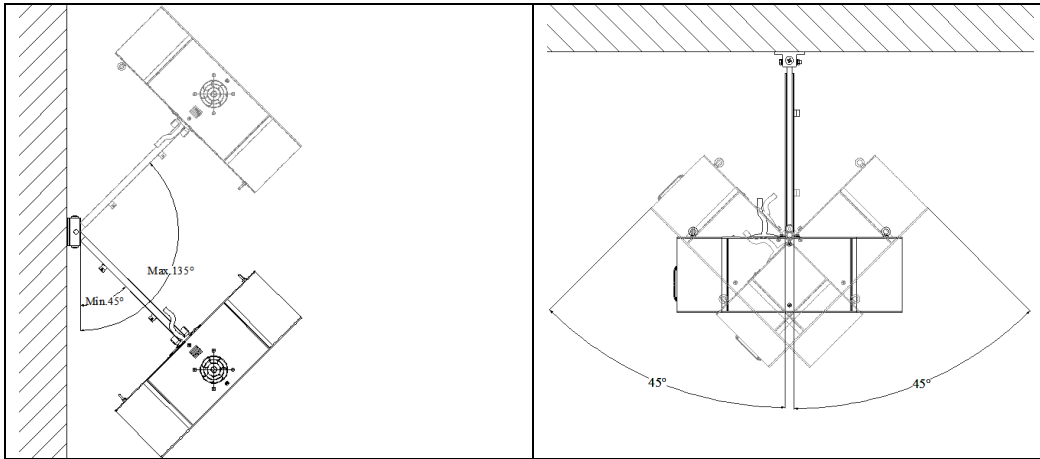


Figure 3: Tilt angle

Top and bottom Angle adjustment




Left and right Angle adjustment





Specifications

Specification	□ SHADOW PD 2000
Voltage (V)	□ 220-240V~
IP	□ IP65
Infrared receiving Angle	□ 60°±5°
The control distance(M)	□ 6m
Battery type	□ AAA size 1.5V ,2 pieces

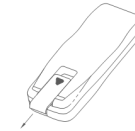
Remote Control Instructions

Button	Graphic	Feature
Up Arrow		Increase heating level
Max		The heater goes directly to the highest heating level.
Down Arrow		Decrease heating level

On		To switch the heater on: Press ON. The patio heater has a soft start function of 33% power. 4 seconds after the heater has been turned on, it will automatically switch to the last heating level used. In case of the first-time use, after 4 seconds the heater will automatically switch to 100% power.
Off		To switch the heater off: Press OFF. The heater will switch to standby mode (the receiver indicator will light up).

Notice:

- Use 2 AAA size 1.5V batteries in the remote control. Remove the battery when not use for long periods of time, thus the lifespan of remote control can be extended.
- Choose the same specification battery when replacing the battery inside, otherwise it may cause remote control not work, thereby affect the normal use of the heater.
- The heater can be still used without the remote control if remote control is missed placed or lost. Please contact service agent for further help if you need the function.
- The remote control function may not function if there is a barrier between the remote control and heater.
- Replacing the batteries duly so as not to affect the normal use of heater and remote control.



Cleaning and Maintenance

- This appliance is consist of a robust and maintenance-free aluminum casing with a protection cover. No user serviceable parts inside.
- Before cleaning, remove the plug from the power outlet and wait until the appliance is sufficiently cooled.
- Wipe the appliance only with clean with a lint-free cloth or a soft brush.
- Never use abrasive cleaners, scrubbing brushes and chemical cleaners for cleaning!
- Alcohol can be used to clean the appliance.
- To protect against electrical shock and danger of life, do not immerse cord, plug, or any part of the appliance in water or other liquid.
- For heating element replacement, please contact the manufacturer or its service agent or a similarly qualified person.

- Any other service, please contact with the service agent or a suitably qualified electrician.

Disposal



In accordance with European Directive 2001/96/EG concerning used electrical and electronic appliances (waste electrical and electronic equipment – WEEE), please return any electrical equipment that you will no longer use to the collection points provided for their disposal.

This symbol indicates that the appliance cannot be treated as normal domestic trash, but must be handed to a collection point for recycling electric and electronic appliances.

Information concerning where the equipment can be disposed of can be obtained from your local authority.

Customer Service

- Repairs must be carried out by authorized specialists, thus ensuring electrical safety.
- Please contact the service agent or a suitably qualified electrician.
- Improper repairs could lead to danger to the user.
- This warranty does not cover damage of failure which results from alteration, accident, misuse, abuse, neglect, commercial use or improper maintenance.
- In line with our policy of continuous product development we reserve the right to change the product and documentation specifications without notice.

info@heat-outdoors.co.uk

+44 (0) 1279 466500

Unit 9, Stort Valley Industrial Estate

Bishops Stortford

Hertfordshire

CM23 2TU