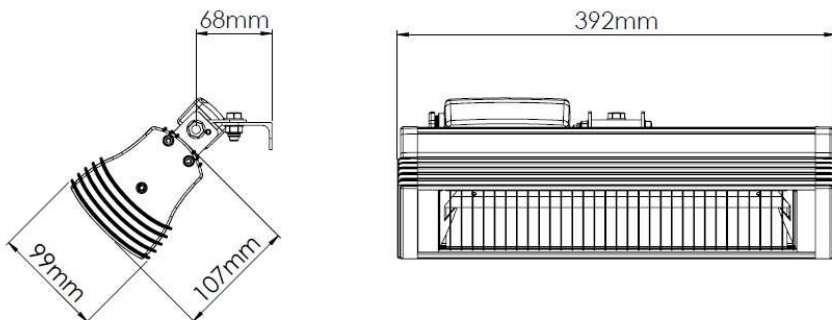



**Dimensions:**



**Specification:**

|                                     |  |
|-------------------------------------|--|
| Model Type                          | RIO 215IP  |
| Voltage (Volts)                     | 230  |
| Power (Watts)                       | 1500   |
| Current (Amps)                      | 6.5  |
| Min. mounting height from floor (m) | 2.0  |
| Min. distance from ceiling (m)      | 0.3  |
| Min. dist. from side wall (m)       | 1.5  |
| Dimensions W x H x D (mm)           | 392 x 99 x 107   |
| Weight (kg)                         | 2.4  |
| Ingress Protection                  | IP24  |
| Mounting:                           | Horizontal wall or angled on a suitable structure  |
| Connection:                         | 5.0m of cord with a moulded UK or a EU Schuko plug                                       |
| Package Contents:                   | Heater with L-shaped wall mounting bracket and an instruction manual                     |

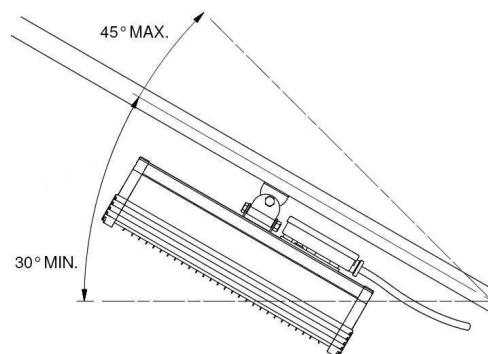
**Bracket Type:**

Supplied as standard with a central swivel bracket and L-shaped wall bracket.

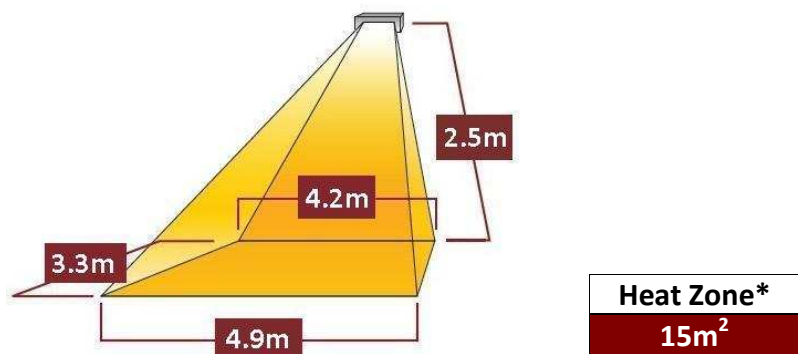


**Angled Mounting:**

The Rio IP is suitable for mounting in an angular manner so is ideal for umbrella/ parasol use.



**Heat Coverage Pattern:**



**RIO IP PART CODES:**

| Colour | Part No.         |
|--------|------------------|
| Black  | RIO 215IP yy BLK |
| Silver | RIO 215IP yy SLV |
| White  | RIO 215IP yy WHT |

yy = UK Cord with UK Plug  
yy = EU Cord with EU Schuko Plug

\*Heat zone will vary based on mounting height and angle of heater (overhead mounted heat zones will be different then this guide). This is a footprint of the total area covered but should be assumed that the surface temperature rise will decrease the further away from the source that is measured. Please use this as a guideline only and contact Tansun for a more detailed guide.