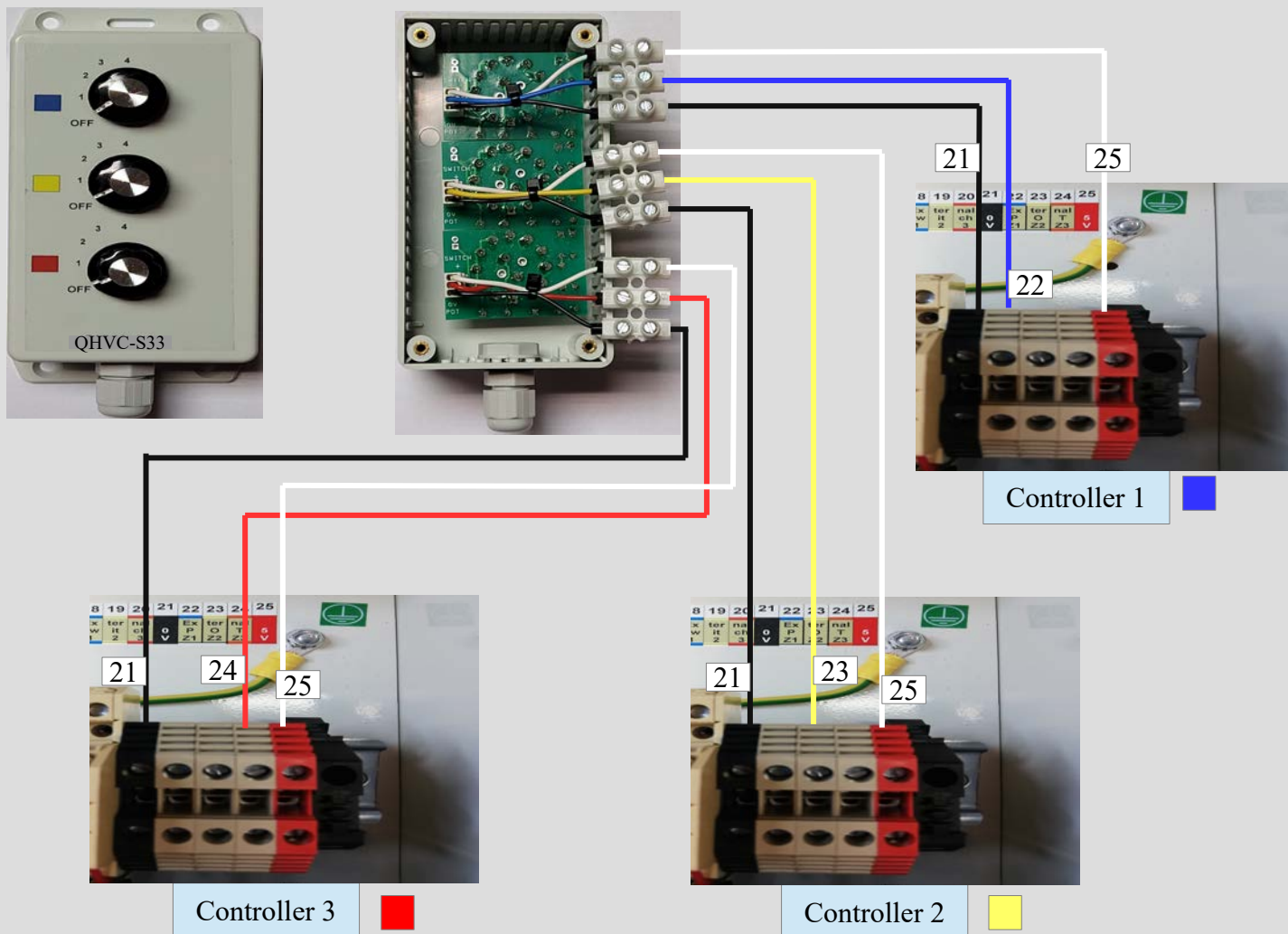


Wiring a QHVC-S33

(Used when controlling 3 Individual QHC18M Controllers)



When using a QHVC-S33 to control 3 Separate QHC18M Controllers
Wire the QHVC-S33 as per diagram above.

(Use each controllers 5v supply as in black and white wires. Do Not Parallel the supply's)

Also note that a jumper link must be fitted to link terminals 22,23 & 24 together