

# Maximus Hanging Patio Heater



## Brief introduction

Infrared heater not only use their heating, more important is to use its emitted infrared radiation heating ( need not through any medium, make full use of the role of light ). The heater is suitable for outdoor (especially air circulation).

## Introduction

Your infrared heater is heating in the way of radiation (no need for medium) so your infrared heater is effective. Because it doesn't need to heat the ambient air (medium), it is good to be used in the open-air as well.

## IMPORTANT INSTRUCTIONS

When using electrical appliances, basic precautions should always be followed to reduce the risk of fire, electric shock, and injury to persons, including the following: Read through the operation and assembly instructions conscientiously before operating the appliance.

Be sure to keep the manual in a safe place for future reference. If you pass the appliance on, pass on the instructions too.

- Read all instructions before using this heater
- If figures are used for indicating the different positions, the off position shall be indicated by the figure " 0 " and the position for a higher value, such as output, input, speed or cooling effect, shall be indicated by a higher figure.
- This heater is hot when in use. To avoid burns, do not let bare skin touch hot surfaces. If provided, use handles when moving this heater. Keep combustible materials, such as furniture, pillows, bedding, papers, clothes, and curtains at least 3 feet (0.9 m) from the front of the heater and keep them away from the sides and rear.
- Extreme caution is necessary when any heater is used by or near children or invalids and whenever the heater is left operating and unattended.
- Always unplug heater when not in use.
- Do not operate any heater with a damaged cord or plug or after the heater malfunctions, has been dropped or damaged in any manner. Discard heater, or return to authorized service facility for examination and/or repair.
- This heater is not intended for use in bathrooms, laundry areas and similar indoor locations. Never locate heater where it may fall into a bathtub or other water container.
- Do not run cord under carpeting. Do not cover cord with throw rugs, runners, or similar coverings. Do not route cord under furniture or appliances. Arrange cord away from traffic area and where it will not be tripped over.
- The casing and the front cover of the appliance become extremely hot during operation.
- Pay attention that, no combustible material due to Wind or other environmental influences covers or obstructs the appliance, such as curtains, marquees, flags, plastic foil etc. Do not touch the appliance. Caution! Risk of scald injury!
- Do not let the cord hang over edge of table or counter, or touch hot surfaces.
- To disconnect heater, turn controls to off, then remove plug from outlet.
- Connect to properly grounded outlets only.
- Do not insert or allow foreign objects to enter any ventilation or exhaust opening as this may cause an electric shock or fire, or damage the heater.
- To prevent a possible fire, do not block air intakes or exhaust in any manner. Do

- not use on soft surfaces, like a bed, where openings may become blocked.
- A heater has hot and arcing or sparking parts inside. Do not use it in areas where gasoline, paint, or flammable liquids are used or stored.
- Use this heater only as described in this manual. Any other use not recommended by the manufacturer may cause fire, electric shock, or injury to persons.
- Always plug heaters directly into a wall outlet/receptacle. Never use with an extension cord or relocatable power tap (outlet/power strip).
- Keep out of reach of children. In order to keep children from the dangers of electrical appliances, never leave them unsupervised with the machine. Consequently, when selecting the location for your machine, do so in such a way that children do not have access to the machine. Children being supervised not to play with the appliance.
- This appliance can be used by children aged from 8 years and above and persons with reduced physical, sensory or mental capabilities or lack of experience and knowledge if they have been given supervision or instruction concerning use of the appliance in a safe way and understand the hazards involved. Children shall not play with the appliance. Cleaning and user maintenance shall not be made by children without supervision.
- Children should be supervised to ensure that they do not play with the appliance.
- Children of less than 3 years should be kept away unless continuously supervised.
- Children aged from 3 years and less than 8 years shall only switch on/off the appliance provided that it has been placed or installed in its intended normal operating position and they have been given supervision or instruction concerning use of the appliance in a safe way and understand the hazards involved. Children aged from 3 years and less than 8 years shall
- not plug in, regulate and clean the appliance or
- perform user maintenance.
- This appliance must not be located immediately below a socket-outlet.
- If the supply cord is damaged, it must be replaced by the manufacturer, its service agent or similarly
- qualified persons in order to avoid a hazard.
- Plug must be removed from the socket-outlet before cleaning the reflector.
- The fireguard of this heater is intended to prevent direct access to heating elements, and must be in place when the heater is in use.
- The fireguard does not give full protection for young children and for infirm persons.
- CAUTION — Some parts of this product can become very hot and cause burns. Particular attention has to be given where children and vulnerable people are present.
- WARNING: This heater is not equipped with a device to control the room

temperature. Do not use this heater in small rooms when they are occupied by persons not capable of leaving the room on their own, unless constant supervision is provided.

- The heater is to be installed so that switches and other controls cannot be touched by a person in the bath or shower.
- CAUTION — Some parts of this product can become very hot and cause burns. Particular attention has to be given where children and vulnerable people are present.

## SAVE THESE INSTRUCTIONS

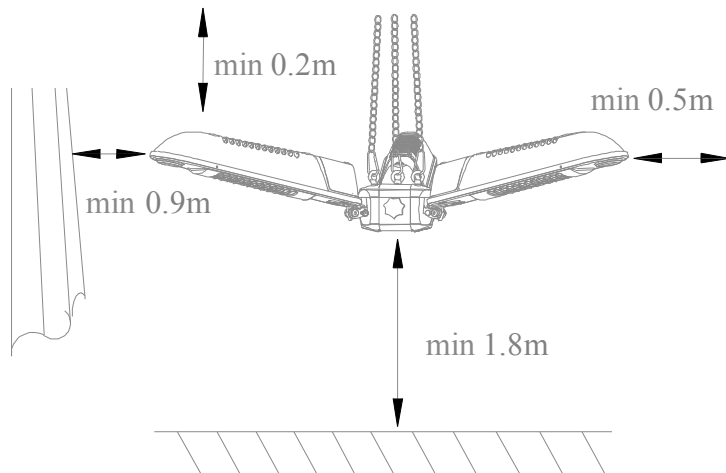
### Installation

- Check if the voltage indicated on the nameplate of the appliance corresponds to the local mains voltage before you connect the appliance.
- Extension cords and multi-sockets may be used only if care is exercised in their use. The marked electrical rating of the extension cord or multi-socket should have adequate current carrying capacity and correspond to the relevant regulations of the power supply companies and the regional construction regulations. Check if the voltage indicated on the appliance corresponds to the marked electrical rating of the extension cord or multi-socket before you connect the appliance.
- The appliance is not located immediately below a wall socket-outlet. This heater is not intended for use in bathrooms, laundry areas and similar locations
- A heater has hot and arcing or sparking parts inside. Do not use it in areas where gasoline, paint, or flammable liquids are used or stored
- In order to avoid overheating and fire hazard, do not cover or obstruct the appliance.; Do not let the cord hang over edge of table or counter, or touch hot surfaces, otherwise, the cord may be broken; arrange the cord away from the traffic area and where it will not be tripped over
- The casing and the front cover of the appliance become extremely hot during operation. Pay attention that, no combustible material due to Wind or other environmental influences covers or obstructs the appliance, such as curtains, marquees, flags, plastic foil etc. Do not touch the appliance. Caution! Risk of scald injury!
- Use this heater only as described in this manual, paying attention to the relevant regulations of the power supply companies and the regional construction regulations. If the extra voltage regulator such as dimmer, timer are used, please follow the installation manual
- For additional protection, the installation of a residual current device (RCD) is advisable.

### Installation manual

- Remove all package material (including anti-vibration object of the lamp) and check the appliance, supply cord and the plug for signs of damage. If so, please contact with the service agent or a suitably qualified electrician for maintenance
- Pay attention to the mounting place and all mounting material (dowels, screws). Ensure they are suitable and stable enough for mounting and lastingly holding of the appliance.
- There are 2 installation methods (mounting under the parasol, suspension type (the accessories sold separately))
- Suspension type in the room
  - a: Suspend the heater on the location (the location must comply to the installation request)
  - b: Before mounting, the minimum safe mounting distances and tilt angles shown in the figures must be strictly followed

1. The distance between the bottom edge of the appliance and the floor must be at least 1.8 M.
2. There must be a distance of at least 0.2 M between the appliance and the ceilings, roofs or other covers.
3. There must be a distance of at least 0.5 M at each side between the appliance and walls or the like. There must be distance 0.9M between the heater and the curtain (See figure 1)



## Specifications

Specification W×H×D (cm)	40 ×40×52cm
Power consumption (W)	2000W
Cable length	180-240cm
Voltage (V)	220V-240 50Hz
Mounting dimensions W×H×D (cm)	104×104×20cm

## Storage

1. Keep the heater out of reach of children when not used ( it is better to storage into the original package)
2. Do not route cord when heater storage, or heater is not in use.

## Cleaning and Maintenance

- This appliance is consist of powder coating casing and aluminium casing. No user serviceable parts inside.
- Remove the plug from the power outlet before cleaning, and wait until the appliance is sufficiently cooled off.
- Wipe the appliance only with clean and lint-free cloth or a soft brush.
- Never use abrasive cleaners, scrubbing brushes and chemical cleaners for cleaning!
- Can use alcohol to clean the appliance.
- To protect against electrical shock and danger of life, do not immerse cord, plug, or any part of the appliance in water or other liquid.
- For heating element replacement , please contact the manufacturer or its service agent or a similarly qualified person.
- Any other servicing should be performed by qualified service personnel.
- Intensive use of the appliance would lead to lamp precocious aging. For heating element replacement please contact the manufacturer or its service agent or a similarly qualified person.
- In accordance with the appeal scrubbing to cleaning the reflector of visibly glowing radiant heaters, if appropriate.

## Disposal



In accordance with European Directive 2002/96/EG concerning used electrical and electronic appliances (waste electrical and electronic equipment – WEEE), please return any electrical equipment that you will no longer use to the collection points provided for their disposal.

This symbol indicates that the appliance cannot be treated as normal domestic trash, but must be handed to a collection point for recycling electric and electronic appliances.

Information concerning where the equipment can be disposed of can be obtained from your local authority.

## Customer Service

Repairs must be carried out by authorized specialists, thus ensuring electrical safety. Please contact with the service agent or a suitably qualified electrician.

Improper repairs could lead to danger to the user.

This warranty does not cover damage of failure which results from alteration, accident, misuse, abuse, neglect, commercial use or improper maintenance.

In line with our policy of continuous product development we reserve the right to change the product and documentation specifications without notice.