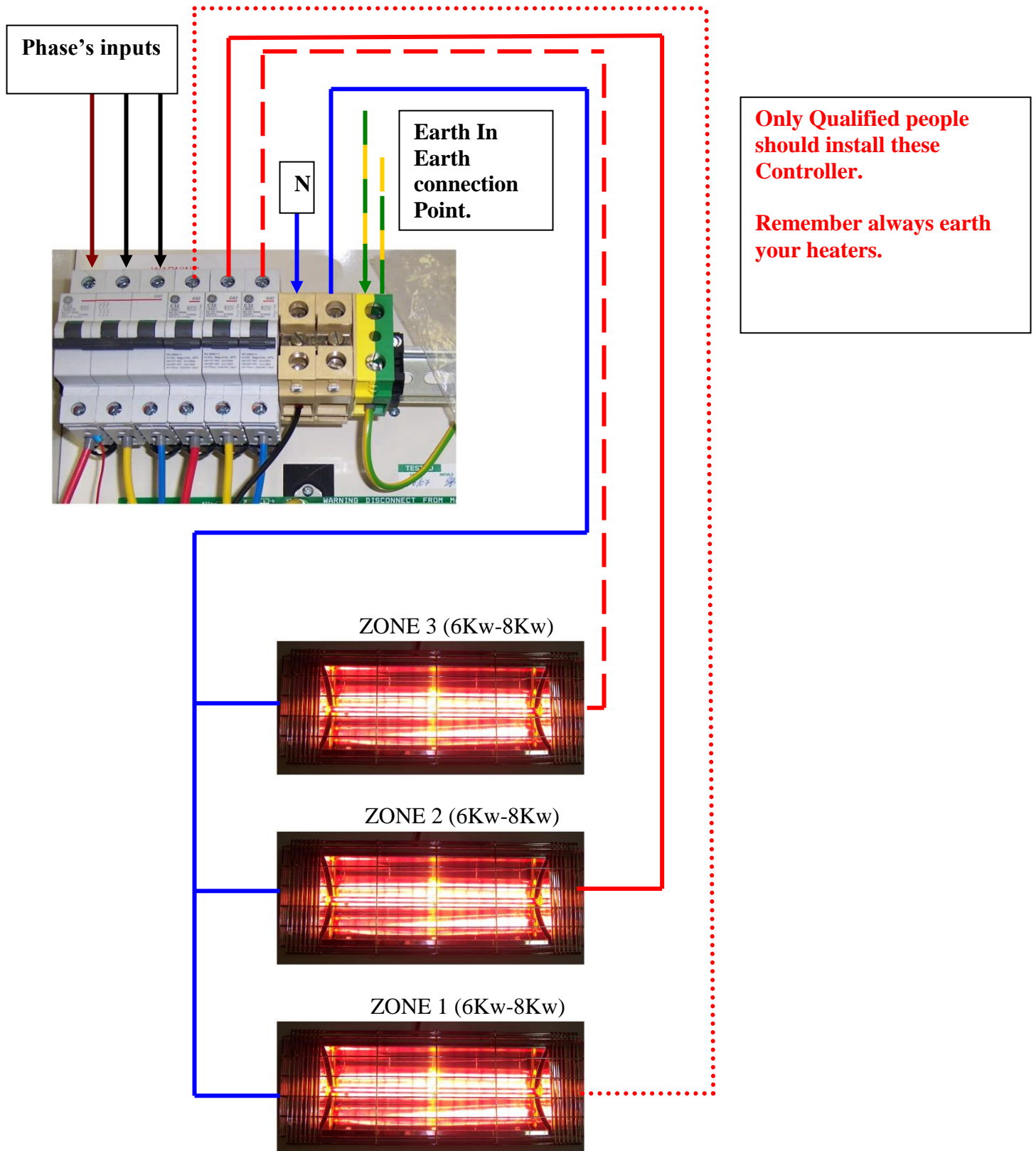


### 3 Phase wiring illustration sheet.



Note: This is only for illustration purposes and not a wiring instruction.